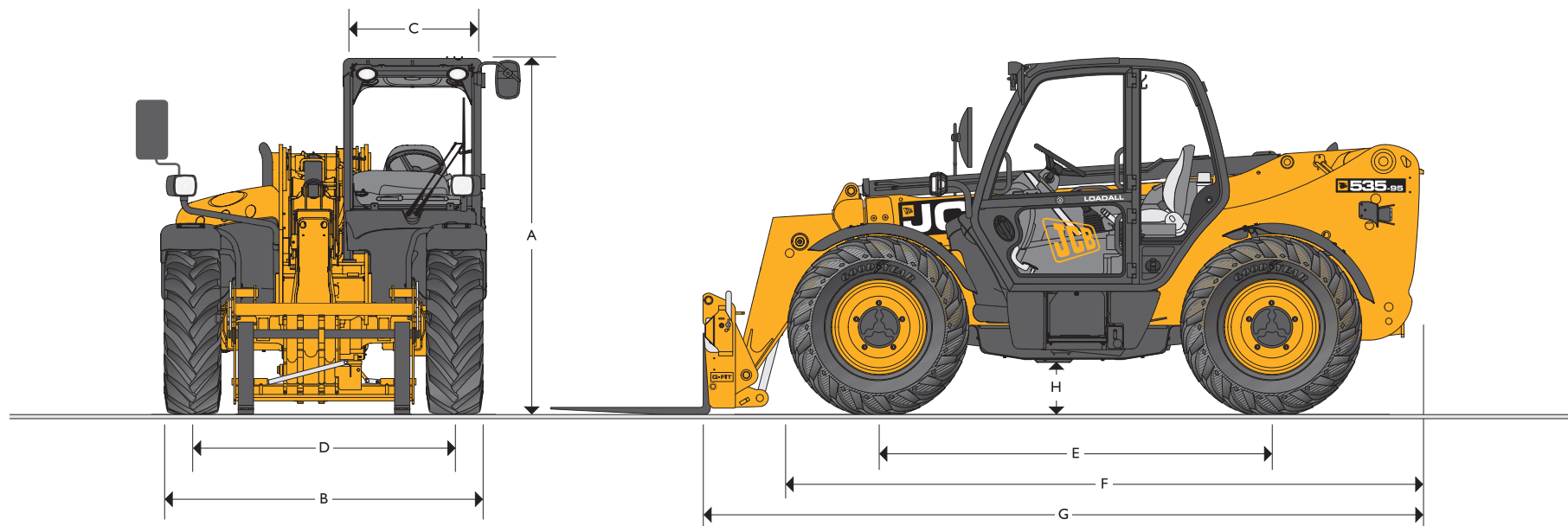




MAX. PAYLOAD: 3.5 tonnes (7716lb) MAX. LIFT HEIGHT: 9.5 metres (31ft 2in)



STATIC DIMENSIONS

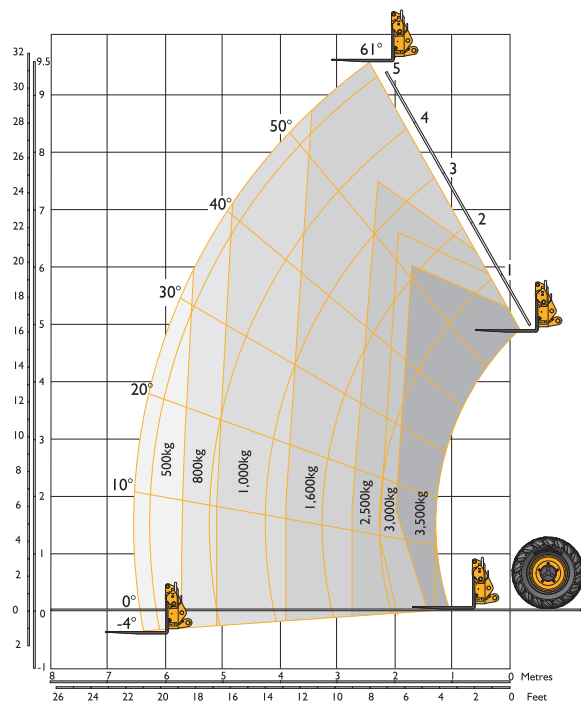
| Machine model | 535-95 |
|------------------------------------|-------------|
| | m (ft-in) |
| A Overall height | 2.49 (8-2) |
| B Overall width (over tyres)* | 2.29 (7-6) |
| C Inside width of cab | 0.94 (3-1) |
| D Front track | 1.87 (6-1) |
| E Wheelbase | 2.75 (9-0) |
| F Overall length to front tyres | 4.38 (14-4) |
| G Overall length to front carriage | 4.99 (16-4) |

*Dependant upon tyre specified.

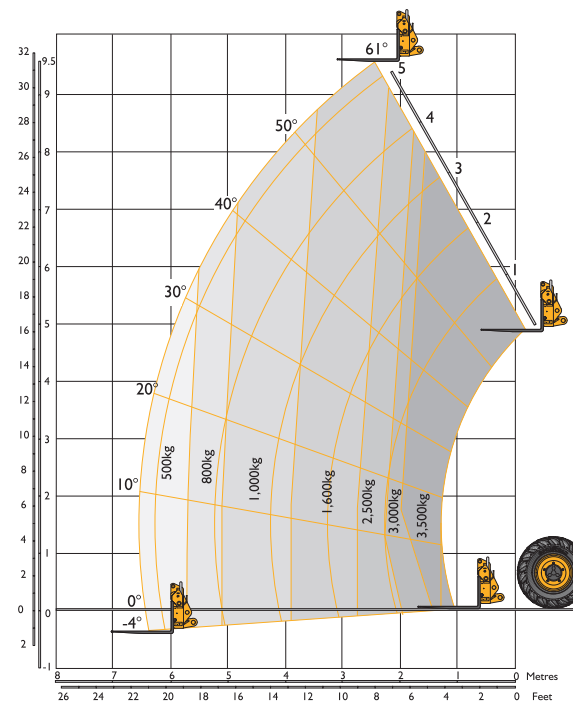
| Machine model | 535-95 |
|----------------------------------|----------------------|
| | m (ft-in) |
| H Ground clearance | 0.40 (1-4) |
| Outside turn radius (over tyres) | 3.7 (12-2) |
| Carriage roll back angle | degrees 41.2 |
| Carriage dump angle | degrees 24.1 |
| Weight – Fixed | kg (lb) 8160 (17989) |
| Weight – Sway | kg (lb) 8215 (18110) |
| Tyres | 15.5/80-24 |



LIFT PERFORMANCE – 535-95



LIFT PERFORMANCE – 535-95 SWAY



Chassis Levelling (Sway)

LIFT PERFORMANCE – 535-95

| Machine Model | | 535-95 |
|------------------------------|-----------|-------------|
| Maximum lift capacity | kg (lb) | 3500 (7716) |
| Lift capacity to full height | kg (lb) | 1600 (3527) |
| Lift capacity at full reach | kg (lb) | 500 (1102) |
| Lift height | m (ft-in) | 9.50 (31-2) |
| Reach at maximum lift height | m (ft-in) | 2.43 (7-11) |
| Maximum forward reach | m (ft-in) | 6.52 (21-5) |
| Reach with 1 tonne load | m (ft-in) | 5.08 (16-8) |
| Placing height | m (ft-in) | 8.78 (28-9) |

Complies with stability test EN 1459 Annex B.

LIFT PERFORMANCE – 535-95 SWAY

| Machine Model | | 535-95 Sway |
|------------------------------|-----------|-------------|
| Maximum lift capacity | kg (lb) | 3500 (7716) |
| Lift capacity to full height | kg (lb) | 1600 (3527) |
| Lift capacity at full reach | kg (lb) | 500 (1102) |
| Lift height | m (ft-in) | 9.50 (31-2) |
| Reach at maximum lift height | m (ft-in) | 2.43 (7-11) |
| Maximum forward reach | m (ft-in) | 6.52 (21-5) |
| Reach with 1 tonne load | m (ft-in) | 5.08 (16-8) |
| Placing height | m (ft-in) | 8.78 (28-9) |

Complies with stability test EN 1459 Annex B.