

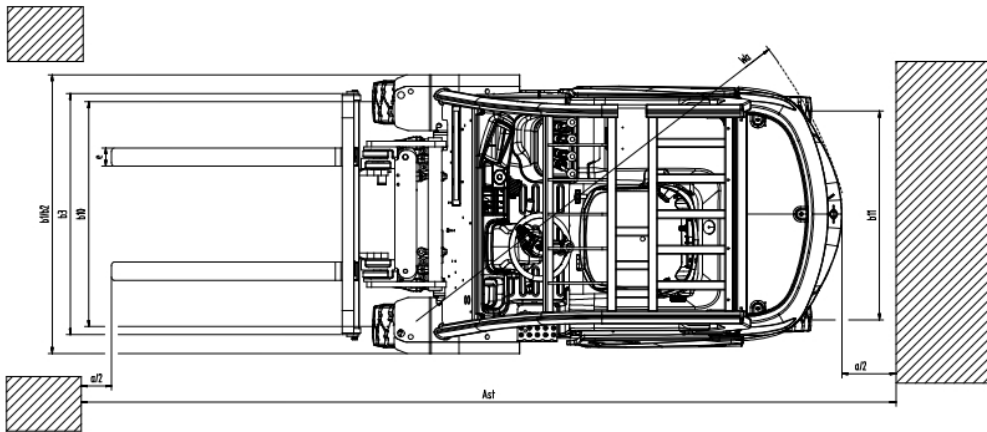
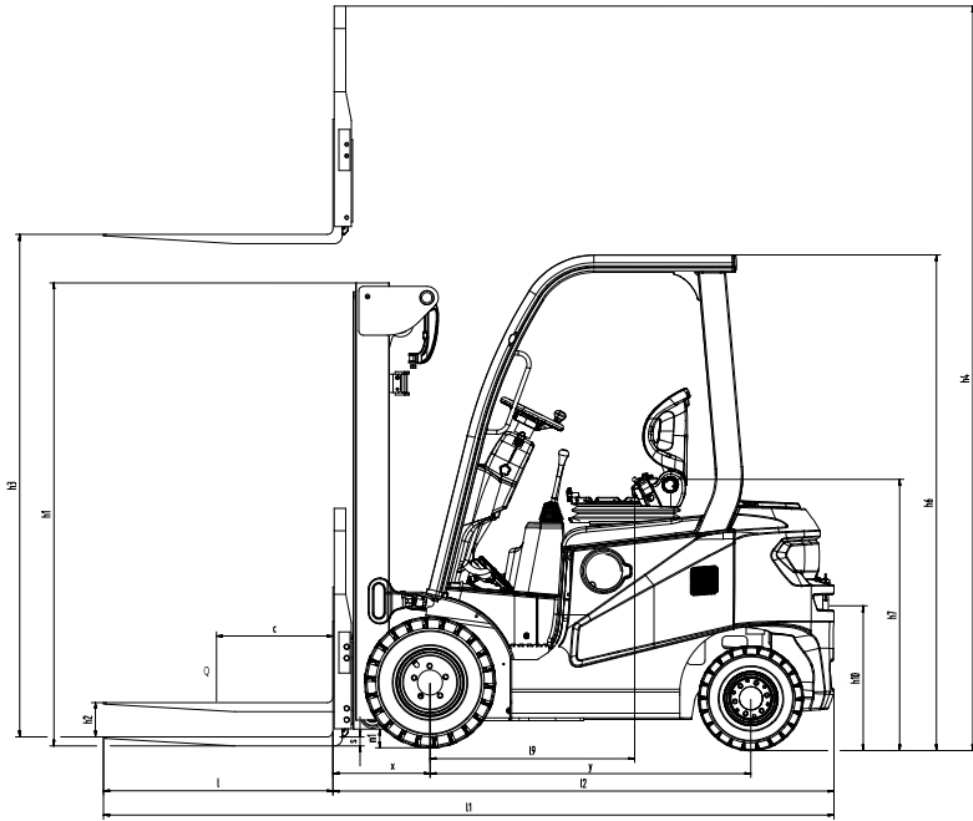
Baoli

KBE 18-20Li



Baoli

1.1	Manufacturer		KION BAOLI
1.2	Manufacturer's type designation		KBE 20Li G1
1.3	Drive: electric, diesel, petrol, fuel gas		Electric
1.4	Operator type: hand, pedestrian, standing, seated, order-picker		Seated
1.5	Rated capacity / Rated load	Q (t)	2,0
1.6	Load centre distance	c (mm)	500
1.8	Load distance, centre of drive axle to fork	x (mm)	425
1.9	Wheelbase	y (mm)	1405
2.1	Service weight	Kg	3431
2.2	Axle loading, laden front/rear	Kg	4795/676
2.3	Axle loading, unladen front/rear	Kg	1414/2017
3.1	Tyres: solid rubber, superelastic, pneumatic, polyurethane		S/E
3.2	Tyre size, front		23X9-10
3.3	Tyre size, rear		5,00-8/3,50
3.5	Wheels, number front/rear (x = driven wheels)		2x/2
3.6	Tread, front	b10 (mm)	975
3.7	Tread, rear	b11 (mm)	900
4.1	Tilt of mast/fork carriage forward/backward	α/β (°)	6/10
4.2	Height, mast lowered	h1 (mm)	2062
4.3	Free lift	h2 (mm)	150
4.4	Lift	h3 (mm)	3000
4.5	Height, mast extended	h4 (mm)	4040
4.7	Height of overhead guard (cabin)	h6 (mm)	2150
4.8	Seat height/stand height	h7 (mm)	1169
4.12	Coupling height	h10 (mm)	639
4.19	Overall length	l1 (mm)	3394
4.20	Length to face of forks	l2 (mm)	2194
4.21	Overall width	b1/b2 (mm)	1210
4.22	Fork dimensions ISO 2331	s/e/l (mm)	40x80x1200
4.23	Fork carriage ISO 2328, class/type A, B		II A
4.24	Fork carriage width	b3 (mm)	1040
4.31	Ground clearance, laden, below mast	m1 (mm)	103
4.32	Ground clearance, centre of wheelbase	m2 (mm)	113
4.34.1	Aisle width for pallets 1000 x 1200 crossways	Ast (mm)	3595
4.34.2	Aisle width for pallets 800 x 1200 lengthways	Ast (mm)	3795
4.35	Turning radius	Wa (mm)	1970
4.36	Internal turning radius	b13 (mm)	536
5.1	Travel speed, laden/unladen	km/h	15/15
5.2	Lift speed, laden/unladen	m/s	0,310/0,470
5.3	Lowering speed, laden/unladen	m/s	0,320/0,470
5.8	Max gradeability, laden/unladen	%	18/20
5.10	Service brake		Mech/Hydr
6.1	Drive motor rating S2 60 min	kW	10.2
6.2	Lift motor rating at S3 15%	kW	11.5
6.4	Battery voltage/nominal capacity K5	V/Ah	80 / 228
6.5	Battery weight	kg	210
6.6	Energy consumption according to VDI cycle	kWh/h	4.7
10.1	Operating pressure for attachments	bar	185
10.7	Sound pressure level at driver's seat	dB (A)	66



KBE 20Li G1

Mast type	H3	Capacity - Load center 500 mm	Capacity - Load center 500 mm - with IntegSideshift	Capacity - Load center 500 mm - with Hang on Sideshift	H1	H4	H2	Mast angle Front/back
VM Tele	3000	2000	2000	1600	2076	4040	150	6/7
	3300	2000	2000	1600	2226	4340	150	6/7
	3500	2000	2000	1600	2326	4540	150	6/7
	4000	2000	1820	1250	2576	5040	150	6/7
	4500	1700	1470	980	2826	5540	150	6/7
	5000	1300	1150	820	3126	6040	150	6/7
VFM 2 stage	3000	2000	2000	1600	2041	3651	1385	6/7
	3300	2000	2000	1600	2191	3951	1535	6/7
	3500	2000	2000	1600	2291	4151	1635	6/7
	4000	2000	1820	1250	2541	4651	1885	6/7
VFHM triplex	4250	1860	1660	1430	2041	4901	1385	6/7
	4550	1720	1520	1290	2141	5201	1485	6/7
	4700	1650	1440	1230	2191	5351	1535	6/7
	4850	1580	1370	1160	2241	5501	1585	6/7
	5000	1520	1300	1100	2291	5651	1635	6/7
	5500	1290	1060	870	2541	6151	1885	6/7
	6000	1060	820	650	2791	6651	2135	6/7
	6500	850	600	450	3041	7151	2385	6/7



KBE 18-20Li

The KBE 18Li and KBE 20Li, with a load capacity of 1.8 to 2.0 tons and a maximum lifting height of 6.5 meters, are ideal for logistics and industries, especially in indoor spaces, thanks to their zero emissions and low noise levels. These trucks excel in light to medium-duty operations, featuring a compact design for easy handling in narrow spaces.

KBE 18Li and KBE 20Li models feature lithium-ion batteries, offering numerous advantages; they allow short interim charges, ensuring increased truck availability, are virtually maintenance-free, and eliminate the risk of hazardous gases during charging.

AC technology motors ensure maintenance-free operation. Thanks to more powerful motors, the KBE 18-20Li achieves higher travel speeds and easily overcomes steeper ramps. Additionally, the KBE 18-20Li offers a remarkable improvement in energy consumption compared to previous models, also showcasing a commitment to sustainability.

The trucks are equipped with wet brakes, offering the main advantage of significantly lower maintenance requirements compared to trucks with drum brakes.

Technology

- ✓ Compact dimensions for maneuvering in narrow spaces.
- ✓ Lithium-ion battery for increased truck availability.
- ✓ Maintenance-free battery.
- ✓ No hazardous gases emitted during charging.
- ✓ AC technology motors for maintenance-free operation.
- ✓ Powerful motors for enhanced performance.
- ✓ Lower energy consumption.
- ✓ Wet brakes ensuring low maintenance costs.
- ✓ Metal grid step and large handle for safe entry and exit from the driver's compartment.
- ✓ Electronic forward/reverse switch for fast and easy changes in driving direction.
- ✓ Rear handhold with horn for safe reversing.
- ✓ Foot-activated parking brake: less effort for engagement/disengagement, easier access to the driver's compartment.
- ✓ Color display for quick access to key truck information, ensuring easy control.

The cabin has been designed with a focus on safety and comfort. A metal grid step and a large handle ensure safe entry and exit from the driver's compartment. The operator benefits from two storage compartments, along with two USB ports for charging small electronic devices.

The electronic forward/reverse switch allows for fast and easy changes in driving direction, enhancing maneuverability. The rear handhold with an integrated horn ensures safe reversing, prioritizing a secure working environment.

The trucks come standard with a foot-activated parking brake; in comparison to the traditional hand parking brake, the foot-activated design requires less effort to engage and disengage and ensures easier access and exit from the driver's compartment. A color display, providing all the key information at a glance, allows for easy and quick control over the truck's status.

