

N series

2,500kg / 3,000kg

Diesel and LPG Forklift Trucks

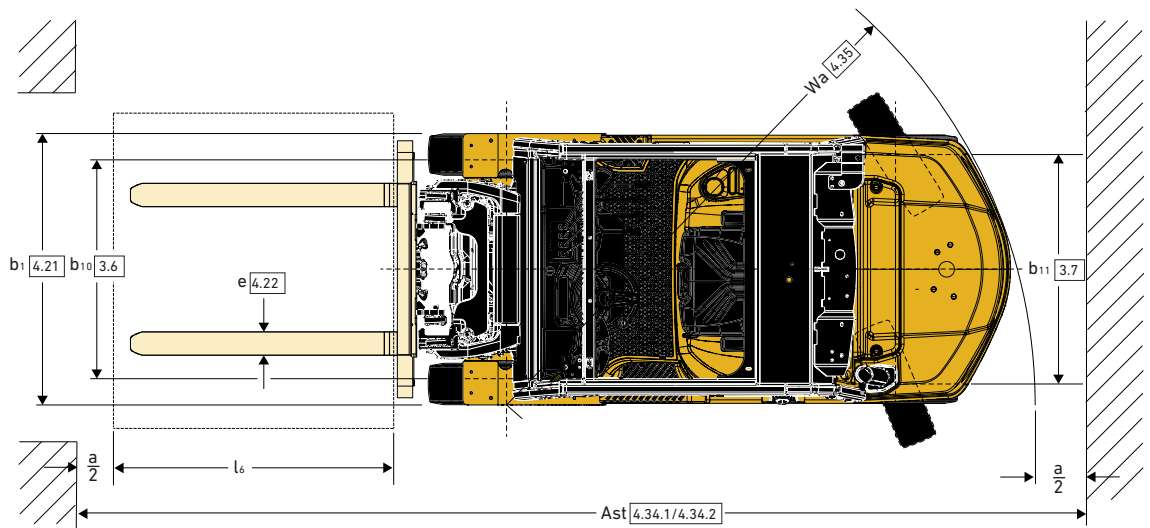
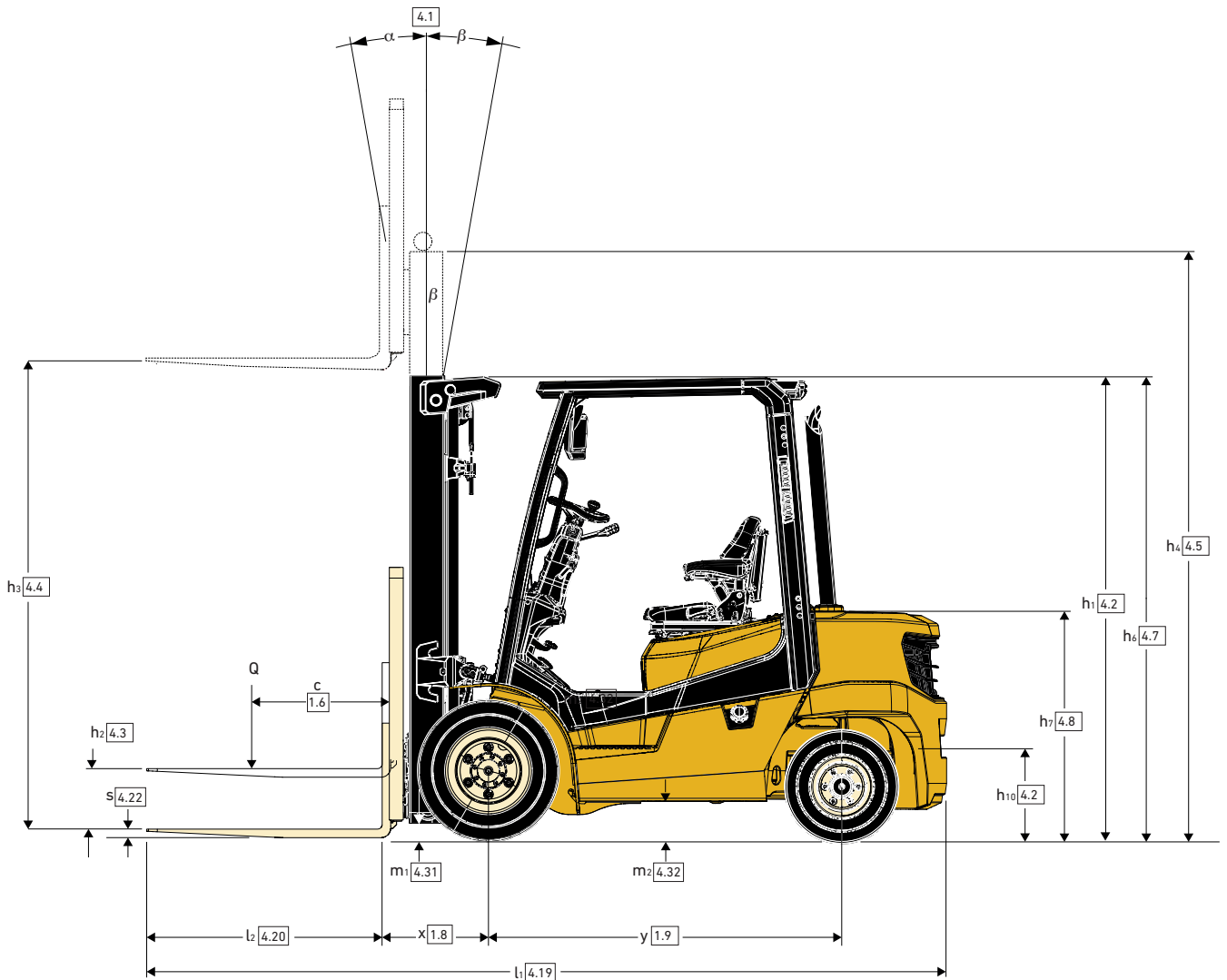


SPECIFICATION SHEET

Models: GDP/GLP25N, GDP/GLP25N6, GDP/GLP30N

PRELIMINARY DATA
DATA SUBJECT TO CHANGE

Truck Dimensions



VDI 2198 - General Specifications - GDP25N, GDP25N6, GDP30N

Distinguishing mark	1.1	Manufacturer (abbreviation)		Yale	Yale	Yale
	1.2	Manufacturer's type designation		GDP25N	GDP25N6	GDP30N
		Engine		Yanmar 2.1L	Yanmar 2.1L	Yanmar 2.1L
		Transmission		Electronic Powershift 1-Speed	Electronic Powershift 1-Speed	Electronic Powershift 1-Speed
		Brake Type		Drum	Drum Brakes	Drum Brakes
1.3	Drive: electric (battery or mains), diesel, petrol, LPG		Diesel	Diesel	Diesel	
1.4	Operator type: hand, pedestrian, standing, seated, order-picker		Seated Rider	Seated Rider	Seated Rider	
1.5	Rated capacity/rated load	Q (t)	2.5	2.5	3.0	
1.6	Load centre distance	c (mm)	500	600	500	
1.8	Load distance, centre of drive axle to fork	x (mm)	470	494	494	
Weights	1.9	Wheelbase	y (mm)	1650	1700	1700
	2.1	Service weight	kg	3991	4322	4610
	2.2	Axle loading laden, front/rear	kg	5676 / 815	5880 / 977	7381 / 729
2.3	Axle loading unladen, front/rear	kg	1707 / 2284	1749 / 2573	1834 / 2776	
Tyres/chassis	3.1	Tyres: L=pneumatic,V=solid, SE=Pneumatic Shape Solid		SE	SE	SE
	3.2	Tyre size, front		7.00 X 12	28 X 9 - 15	28 X 9 - 15
	3.3	Tyre size, rear		6.00 X 9	6.5 X 10	6.5 X 10
	3.5	Number of wheels, front/rear (X = driven)		2x / 2	2x / 2	2x / 2
	3.6	Tread, front	b10 (mm)	983	959	959
	3.7	Tread, rear	b11 (mm)	958	958	958
	Dimensions	4.1	Tilt of mast / fork carriage forward / backward	a / b (°)	6/6	6/6
4.2		Height, mast lowered	h1 (mm)	2570	2592	2692
4.3		Free lift, ▲	h2 (mm)	50	50	50
4.4		Lift ▲	h3 (mm)	3900	3900	3880
4.5		Height, mast extended E	h4 (mm)	4500	4500	4552
4.7		Height of overhead guard (cabin) m	h6 (mm)	2160	2182	2182
4.8		Seat height relating to SIP/stand height ◆	h7 (mm)	1153	1175	1175
4.12		Coupling height	h10 (mm)	440	452	462
4.19		Overall length	l1 (mm)	3610	3714	3746
4.20		Length to face of forks	l2 (mm)	2579	2676	2731
4.21		Overall width * (single / wide / dual)	b1/b2 (mm)	1160 / 1280 / 1542	1186 / 1353 / 1545	1186 / 1353 / 1545
4.22		Fork dimensions DIN ISO 2331	s/e/l (mm)	40 X 100 X 1000	50 X 120 X 1000	50 X 120 X 1000
4.23		Fork carriage ISO 2328, class/type A, B		II A	II A	III A
4.24		Fork carriage width ●	b3 (mm)	1070	1070	1070
4.31		Ground clearance, laden, below mast	m1 (mm)	130	152	152
4.32		Ground clearance, centre of wheelbase	m2 (mm)	160	182	182
4.34.1		Aisle width for pallets 1000 x 1200 crossways	Ast (mm)	3933	3994	4069
4.34.2	Aisle width for pallets 800 x 1200 lengthways	Ast (mm)	4133	4203	4269	
4.35	Turning radius	Wa (mm)	TBC	TBC	TBC	
4.36	Internal turning radius	b13 (mm)	640	660	660	
4.41	90° intersecting aisle (with pallet W = 1200mm, L = 1000mm)		2043	2084	2110	
4.42	Step height (from ground to running board)	(mm)	440	462	462	
4.43	Step height (between intermediate steps between running board and floor)	(mm)	250	250	250	
Performance data	5.1	Travel speed, laden/unladen	km/h	17.8 / 17.8	17.8/18	17.8/18
	5.1.1	Travel speed, laden/unladen, backwards	km/h	18.0 / 18.0	18.1 / 18.2	18.1 / 18.2
	5.2	Lift speed, laden/unladen (CDP)	m/s	0.62 / 0.64	0.55 / 0.61	0.55 / 0.61
	5.3	Lowering speed, laden/unladen	m/s	0.61 / 0.65	0.58 / 0.53	0.58 / 0.53
	5.5	Drawbar pull, laden/unladen *	N	16900	TBC	TBC
	5.7	Gradeability, laden/unladen **	%	28	28	28
	5.9	Acceleration time, laden/unladen (to 15m)	s	4.0	TBC	TBC
5.10	Service brake		Hydraulic	Hydraulic	Hydraulic	
Combustion-engine	7.1	Engine manufacturer / type		Yanmar / 4TNV86CT	Yanmar / 4TNV86CHT	Yanmar / 4TNV86CHT
	7.2	Engine power according to ISO 1585	kW	36.6	44	44
	7.3	Rated speed	min-1	2500	2500	2500
	7.3.1	Torque at 1/min	(N-m/min)	168.2 / 1625	210.4 / 1625	210.4 / 1625
	7.4	Number of cylinders/displacement	(-)/cm3	4 / 2091	4 / 2091	4 / 2091
	7.5	Fuel consumption according to VDI 2198 (CDP/VDP)	l/h or kg/h	2.9 / 2.7	3.0/2.8	3.2 / 3.0
	7.5c	Fuel consumption according to VDI EN16796 (CDP/VDP)	l/h or kg/h	2.6 / 2.3	2.7/2.4	2.8 / 2.6
7.6	Turnover output (Power / ECO)	(1/h)	92 / 83	TBC	90 / 82	
8.1	Type of drive unit		Automatic	Automatic	Automatic	
Addition data	10.1	Operating pressure for attachments	bar	180	180	180
	10.2	Oil volume for attachments ❖	l/min	25	25	25
	10.3	Hydraulic oil tank, capacity	liters	34.2	34.2	34.2
	10.4	Fuel tank, capacity	liters	53	53	53
	10.7	Sound pressure level at the driver's seat ☞	dB(A)	78	79	79
	10.7.2	Guaranteed sound power 2001/14/EC	dB(A)	101	101	101
	10.8	Towing coupling type		Pin	Pin	Pin

** Engine data based on maximum capacity displacement
 ▲ Top of forks
 ❖ Without load backrest
 ○ h6 subject to +/- 5mm tolerance. N20-N25 add 25mm when front tyre size 28x9-15 is selected

◆ Full suspension seat to manuf SIP
 * Standard/Wide/Dual.
 ● Add 32mm with load backrest
 - At 1.6km/h
 ** At 4.8km/h
 *** with Load Sensing Hydraulics

◆ variable.
 ☞ LPAZ, measured according to the test cycles and based on the weighting values contained in EN12053
Spec sheet truck based on :- 3290mm GDP20-25N / 3105mm GDP30-35N

Top of Forks 2 stage LFL mast with standard carriage, 1000 mm forks with manual levers.
All values are nominal values and they are subject to tolerances. For further information, please contact the manufacturer.

Yale products might be subject to change without notice.
Lift trucks illustrated may feature optional equipment.
Values may vary with alternative configurations.

VDI 2198 - General Specifications - GLP25N, GLP25N6, GLP30N

Distinguishing mark	1.1	Manufacturer (abbreviation)		Yale	Yale	Yale
	1.2	Manufacturer's type designation		GLP25N	GLP25N6	GLP30N
		Engine		Yanmar 2.2L	Yanmar 2.2L	Yanmar 2.2L
		Transmission		"Electronic Powershift 1-Speed"	"Electronic Powershift 1-Speed"	"Electronic Powershift 1-Speed"
		Brake Type		Drum Brakes	Drum Brakes	Drum Brakes
1.3	Drive: electric (battery or mains), diesel, petrol, LPG		LPG	LPG	LPG	
1.4	Operator type: hand, pedestrian, standing, seated, order-picker		Seated Rider	Seated Rider	Seated Rider	
1.5	Rated capacity/rated load	Q (t)	2.5	2.5	3.0	
1.6	Load centre distance	c (mm)	500	600	500	
1.8	Load distance, centre of drive axle to fork	x (mm)	470	494	494	
Weights	1.9	Wheelbase	y (mm)	1650	1700	1700
	2.1	Service weight	kg	3991	4322	4610
	2.2	Axle loading laden, front/rear	kg	5676 / 815	5880 / 977	7381 / 729
2.3	Axle loading unladen, front/rear	kg	1707 / 2284	1749 / 2573	1834 / 2776	
Tyres/chassis	3.1	Tyres: L=pneumatic,V=solid, SE=Pneumatic Shape Solid		SE	SE	SE
	3.2	Tyre size, front		7.00 X 12	28 X 9 - 15	28 X 9 - 15
	3.3	Tyre size, rear		6.00 X 9	6.5 X 10	6.5 X 10
	3.5	Number of wheels, front/rear (X = driven)		2x / 2	2x / 2	2x / 2
	3.6	Tread, front	b10 (mm)	983	959	959
	3.7	Tread, rear	b11 (mm)	958	958	958
	Dimensions	4.1	Tilt of mast / fork carriage forward / backward	a / b (°)	6/6	6/6
4.2		Height, mast lowered	h1 (mm)	2570	2592	2692
4.3		Free lift, ▲	h2 (mm)	50	50	50
4.4		Lift ▲	h3 (mm)	3900	3900	3880
4.5		Height, mast extended E	h4 (mm)	4500	4500	4552
4.7		Height of overhead guard (cabin) m	h6 (mm)	2160	2182	2182
4.8		Seat height relating to SIP/stand height ◆	h7 (mm)	1153	1175	1175
4.12		Coupling height	h10 (mm)	440	452	462
4.19		Overall length	l1 (mm)	3610	3714	3746
4.20		Length to face of forks	l2 (mm)	2579	2676	2731
4.21		Overall width * (single / wide / dual)	b1/b2 (mm)	1160 / 1280 / 1542	1186 / 1353 / 1545	1186 / 1353 / 1545
4.22		Fork dimensions DIN ISO 2331	s/e/l (mm)	40 X 100 X 1000	50 X 120 X 1000	50 X 120 X 1000
4.23		Fork carriage ISO 2328, class/type A, B		II A	II A	III A
4.24		Fork carriage width ●	b3 (mm)	1070	1070	1070
4.31		Ground clearance, laden, below mast	m1 (mm)	130	152	152
4.32		Ground clearance, centre of wheelbase	m2 (mm)	160	182	182
4.34.1		Aisle width for pallets 1000 x 1200 crossways	Ast (mm)	3933	3994	4069
4.34.2	Aisle width for pallets 800 x 1200 lengthways	Ast (mm)	4133	4203	4269	
4.35	Turning radius	Wa (mm)	TBC	TBC	TBC	
4.36	Internal turning radius	b13 (mm)	640	660	660	
4.41	90° intersecting aisle (with pallet W = 1200mm, L = 1000mm)		2043	2084	2110	
4.42	Step height (from ground to running board)	(mm)	440	462	462	
4.43	Step height (between intermediate steps between running board and floor)	(mm)	250	250	250	
Performance data	5.1	Travel speed, laden/unladen	km/h	17.8 / 17.8	17.8/18	17.8/18
	5.1.1	Travel speed, laden/unladen, backwards	km/h	18.0 / 18.0	18.1 / 18.2	18.1 / 18.2
	5.2	Lift speed, laden/unladen (CDP)	m/s	0.62 / 0.64	0.55 / 0.61	0.55 / 0.61
	5.3	Lowering speed, laden/unladen	m/s	0.61 / 0.65	0.58 / 0.53	0.58 / 0.53
	5.5	Drawbar pull, laden/unladen *	N	16900	TBC	TBC
	5.7	Gradeability, laden/unladen **	%	28	28	28
	5.9	Acceleration time, laden/unladen (to 15m)	s	4.0	TBC	TBC
5.10	Service brake		Hydraulic	Hydraulic	Hydraulic	
Combustion-engine	7.1	Engine manufacturer / type		Yanmar / 4TN88G	Yanmar / 4TN88G	Yanmar / 4TN88G
	7.2	Engine power according to ISO 1585	kW	45	45	45
	7.3	Rated speed	min-1	2600	2600	2600
	7.3.1	Torque at 1/min	(N-m/min)	175 / 1800	175 / 1800	175 / 1800
	7.4	Number of cylinders/displacement	(-)/cm3	4 / 2189	4 / 2189	4 / 2189
	7.5	Fuel consumption according to VDI 2198 (CDP/VDP)	l/h or kg/h	TBC	TBC	TBC
	7.5c	Fuel consumption according to VDI EN16796 (CDP/VDP)	l/h or kg/h	TBC	TBC/2.8	TBC
7.6	Turnover output (Power / ECO)	(1/h)	TBC	TBC	TBC	
8.1	Type of drive unit		Automatic	Automatic	Automatic	
Addition data	10.1	Operating pressure for attachments	bar	180	180	180
	10.2	Oil volume for attachments ❖	l/min	25	25	25
	10.3	Hydraulic oil tank, capacity	liters	41	41	41
	10.4	Fuel tank, capacity	liters	n/a	n/a	n/a
	10.7	Sound pressure level at the driver's seat ☞	dB(A)	78	79	79
	10.7.2	Guaranteed sound power 2001/14/EC	dB(A)	101	101	101
	10.8	Towing coupling type		Pin	Pin	Pin

** Engine data based on maximum capacity displacement
▲ Top of forks
❖ Without load backrest
○ h6 subject to +/- 5mm tolerance. N20-N25 add 25mm when front tyre size 28x9-15 is selected

◆ Full suspension seat to manuf SIP
* Standard/Wide/Dual.
● Add 32mm with load backrest
- At 1.6km/h
** At 4.8km/h
*** with Load Sensing Hydraulics

❖ variable.
☞ LPAZ, measured according to the test cycles and based on the weighting values contained in EN12053
Spec sheet truck based on: - 3290mm GDP20-25N / 3105mm GDP30-35N

Top of Forks 2 stage LFL mast with standard carriage, 1000 mm forks with manual levers.
All values are nominal values and they are subject to tolerances. For further information, please contact the manufacturer.

Yale products might be subject to change without notice.
Lift trucks illustrated may feature optional equipment.
Values may vary with alternative configurations.

GDP/GLP25N, GDP/GLP25N6 mast details and capacity ratings (kg) - Superelastic tyres

Mast	Maximum Fork Height (TOF) (mm)	Lowered Height	Extended Height without LBR (mm)	Extended Height with LBR (mm)	Free Lift Height with LBR (mm)	Back Tilt (deg.)	Capacities (kg) @ 500mm Load Centre							
							Superelastic Tyres				Pneumatic Radial Tyres			
							Without sideshift (kg)		With sideshift + Fork Positioner (kg)		Without sideshift (kg)		With sideshift + Fork Positioner (kg)	
							25N	25N6	25N	25N6	25N	25N6	25N	25N6
2 Stage LFL Class II	2960	2020	3570	3875	50	6								
	3260	2170	3870	4175	50	6	2500	2700	2500	2700	2500	2700	2500	2700
	3560	2320	4170	4475	50	6								
	3900	2570	4510	4815	50	6								
	4200	2720	4810	5115	50	6								
	4500	2870	5110	5415	50	6								
	4800	3020	5410	5715	50	6								
	5000	3220	5610	5915	50	6								
2 Stage FFL Class II	2990	2020	3587	3905	770	6								
	3340	2170	3937	4255	845	6								
	3440	2220	4037	4355	870	6								
	3540	2270	4137	4455	895	6								
	3740	2370	4337	4655	945	6								
	4060	2570	4657	4975	1045	6								
	4560	2820	5157	5475	1170	6								
	4960	3020	5557	5875	1270	6								
3 Stage FFL	4000	2020	4597	4915	770	6								
	4100	2020	4697	5015	770	6								
	4300	2020	4897	5215	770	6								
	4650	2070	5247	5565	795	6								
	4950	2170	5547	5865	845	6	2370	2500	2300	2500	1740	1980	1720	1970
	5100	2270	5697	6015	895	6								
	5550	2420	6147	6465	970	6								
	5700	2520	6297	6615	1020	6								
	6150	2670	6747	7065	1095	6								
	6450	2820	7047	7365	1170	6								
6900	3020	7497	7815	1270	6									

GDP/GLP30N mast details and capacity ratings (kg) - Superelastic tyres

Mast	Maximum Fork Height (TOF) (mm)	Lowered Height	Extended Height without LBR (mm)	Extended Height with LBR (mm)	Free Lift Height with LBR (mm)	Back Tilt (deg.)	Capacities (kg) @ 500mm Load Centre			
							Superelastic Tyres		Pneumatic Radial Tyres	
							Without sideshift (kg)		With sideshift + Fork Positioner (kg)	
							30N	35N	30N	35N
2 Stage LFL Class II	2980	2142	3662	3895	50	6				
	3280	2292	3962	4195	50	6				
	3380	2342	4062	4295	50	6				
	3580	2442	4262	4495	50	6	3000	2910	3000	2910
	3880	2692	4562	4795	50	6				
	4180	2842	4862	5095	50	6				
	4480	2992	5162	5395	50	6				
	4780	3242	5462	5695	50	6				
2 Stage FFL Class II	5480	3592	6162	6395	50	6				
	5880	3892	6562	6795	50	6				
	3000	2092	3669	3915	770	6				
	3200	2192	3869	4115	820	6				
	3500	2342	4169	4415	895	6				
	3700	2442	4369	4615	945	6				
	4000	2642	4669	4915	1045	6				
	4500	2892	5169	5415	1170	6				
3 Stage FFL	5000	3192	5669	5915	1320	6				
	5400	3392	6069	6315	1420	6				
	4020	2042	4689	4935	745	6				
	4320	2092	4989	5235	770	6				
	4620	2192	5289	5535	820	6	2900	2800	2290	2280
	4920	2342	5589	5835	895	6	2650	2660	2020	2010
	5520	2592	6189	6435	1020	6				
	6120	2842	6789	7035	1145	6				
6570	3042	7239	7485	1245	6					
7020	3192	7689	7935	1320	6					
7170	3292	7839	8085	1370	6					

GDP/GLP25N, GDP/GLP25N6 mast details and capacity ratings (kg) - Superelastic tyres

Mast	Maximum Fork Height (TOF) (mm)	Lowered Height	Extended Height without LBR (mm)	Extended Height with LBR (mm)	Free Lift Height with LBR (mm)	Back Tilt (deg.)	Capacities (kg) @ 600mm Load Centre							
							Superelastic Tyres				Pneumatic Radial Tyres			
							Without sideshift (kg)		With sideshift + Fork Positioner (kg)		Without sideshift (kg)		With sideshift + Fork Positioner (kg)	
							25N	25N6	25N	25N6	25N	25N6	25N	25N6
2 Stage LFL Class II	2960	2020	3570	3875	50	6								
	3260	2170	3870	4175	50	6	2360	2530	2290	2460	2360	2530	2290	2460
	3560	2320	4170	4475	50	6								
	3900	2570	4510	4815	50	6								
	4200	2720	4810	5115	50	6								
	4500	2870	5110	5415	50	6								
	4800	3020	5410	5715	50	6								
	5000	3220	5610	5915	50	6								
2 Stage FFL Class II	2990	2020	3587	3905	770	6								
	3340	2170	3937	4255	845	6								
	3440	2220	4037	4355	870	6								
	3540	2270	4137	4455	895	6								
	3740	2370	4337	4655	945	6								
	4060	2570	4657	4975	1045	6								
	4560	2820	5157	5475	1170	6								
	4960	3020	5557	5875	1270	6								
3 Stage FFL	4000	2020	4597	4915	770	6								
	4100	2020	4697	5015	770	6								
	4300	2020	4897	5215	770	6								
	4650	2070	5247	5565	795	6								
	4950	2170	5547	5865	845	6	2160	2500	2090	2430	1740	1980	1720	1960
	5100	2270	5697	6015	895	6								
	5550	2420	6147	6465	970	6								
	5700	2520	6297	6615	1020	6								
	6150	2670	6747	7065	1095	6								
	6450	2820	7047	7365	1170	6								
6900	3020	7497	7815	1270	6									

GDP/GLP30N mast details and capacity ratings (kg) - Superelastic tyres

Mast	Maximum Fork Height (TOF) (mm)	Lowered Height	Extended Height without LBR (mm)	Extended Height with LBR (mm)	Free Lift Height with LBR (mm)	Back Tilt (deg.)	Capacities (kg) @ 600mm Load Centre							
							Superelastic Tyres		Pneumatic Radial Tyres					
							Without sideshift (kg)		With sideshift + Fork Positioner (kg)					
							30N	35N	30N	35N				
2 Stage LFL Class II	2980	2142	3662	3895	50	6								
	3280	2292	3962	4195	50	6								
	3380	2342	4062	4295	50	6								
	3580	2442	4262	4495	50	6	2760	2650	2760	2650				
	3880	2692	4562	4795	50	6								
	4180	2842	4862	5095	50	6								
	4480	2992	5162	5395	50	6								
	4780	3242	5462	5695	50	6								
2 Stage FFL Class II	5480	3592	6162	6395	50	6								
	5880	3892	6562	6795	50	6								
	3000	2092	3669	3915	770	6								
	3200	2192	3869	4115	820	6								
	3500	2342	4169	4415	895	6								
	3700	2442	4369	4615	945	6								
	4000	2642	4669	4915	1045	6								
	4500	2892	5169	5415	1170	6								
3 Stage FFL	5000	3192	5669	5915	1320	6								
	5400	3392	6069	6315	1420	6								
	4020	2042	4689	4935	745	6								
	4320	2092	4989	5235	770	6								
	4620	2192	5289	5535	820	6	2640	2550	2290	2270				
	4920	2342	5589	5835	895	6	2580	2490	2020	2000				
	5520	2592	6189	6435	1020	6								
	6120	2842	6789	7035	1145	6								
6570	3042	7239	7485	1245	6									
7020	3192	7689	7935	1320	6									
7170	3292	7839	8085	1370	6									

Optional list

PERFORMANCE	STD	OPT			
Yanmar 2.1L DPF (37 kW) Diesel		X			
Yanmar 2.1L DPF with CAC (44 kW) Diesel		X			
Yanmar 2.2L Certified LPG		X			
Powershift Transmission	X				
Drum Brakes	X				
Standard (-20° C to 40° C) Environmental construction	X				
High Air Intake	X				
High Air Intake with Precleaner		X			
Internal Air Intake		X			
Fixed LPG bracket with Fabric strap		X			
Swing Out and Drop Down LPG bracket with Fabric Strap		X			
Integrated Fuel Level Sensor	X				
Low Exhaust		X			
Overhead Exhaust		X			
System monitoring package	X				
DRIVE	STD	OPT			
Single pedal inch brake	X				
Drive Tyres - Super elastic	X				
Drive Tyres - Super elastic - Premium		X			
Drive Tyres - Super elastic - Non Marking		X			
Drive Tyres - Super elastic - Premium - Non Marking		X			
Drive Tyres - Pneumatic Radial - Premium		X			
Drive Tyres - Pneumatic - Premium		X			
Steer Tyres - Super elastic	X				
Steer Tyres - Super elastic - Premium		X			
Steer Tyres - Super elastic - Non Marking		X			
Steer Tyres - Super elastic - Premium - Non Marking		X			
Steer Tyres - Pneumatic Radial - Premium		X			
Steer Tyres - Pneumatic - Premium		X			
Steering Column Mounted Directional Control	X				
Steering Wheel with Spinner Knob	X				
Steer Column with Infinitely Adjustable Tilt	X				
On Demand Power Steering	X				
LIFT	STD	OPT			
2 Stage Limited Free Lift Mast - Class II - 2.5t/2.5t@6	X				
2 Stage Full Free Lift Mast - Class II - 2.5t/2.5t@6		X			
3 Stage Full Free Lift Mast - Class II - 2.5t/2.5t@6		X			
2 Stage Limited Free Lift Mast - Class III - 3.0t	X				
2 Stage Full Free Lift Mast - Class III - 3.0t		X			
3 Stage Full Free Lift Mast - Class III - 3.0t		X			
6° Forward / 6° Back Mast Tilt	X				
10° Forward / 6° Back Mast Tilt		X			
On Demand Hydraulic Pump	X				
HANDLING	STD	OPT			
Hook Type Integral Sideshift Carriage - 1070mm		X			
Hook Type Integral Sideshift Carriage - 1220mm		X			
Hook Type Integral Sideshifting Forkpositioner - 1070mm		X			
Hook Type Integral Sideshifting Forkpositioner - 1220mm		X			
Hook Type Standard Taper Class II Forks 1000x100x40	X				
Hook Type Standard Taper Class II Forks 1100x100x40		X			
Hook Type Standard Taper Class II Forks 1200x100x40		X			
Hook Type Standard Taper Class III Forks 1000x120x50	X				
Hook Type Standard Taper Class III Forks 1100x120x50		X			
Hook Type Standard Taper Class III Forks 1200x120x50		X			
Without Load backrest		X			
1220mm High Load Backrest		X			
915mm High Load Backrest		X			
			915mm High Load Backrest Drop Centre		X
			1524mm High Load Backrest		X
			Tilt Cylinder Boots		X
			Hydraulic Accumulator		X
			Manual Lever Hydraulic Control	X	
			2 Function (0 Auxiliary) Hydraulic Valve		
			3 Function (1 Auxiliary) Hydraulic Valve		
			4 Function (2 Auxiliary) Hydraulic Valve		
VISIBILITY	STD	OPT			
			Dual Side View Mirrors		X
			Panoramic Mirror		X
			LED Worklights		X
			Rear reflector	X	
			LED Rear light package Brake/Tail/Backup		X
			LED Rear light package Brake/Tail/Backup/Turn		X
			LED Rear light package Brake/Tail/Backup/Turn/Hazards		X
			Switch Activated Strobe Light		X
			Audible Reverse Alarm		X
ERGONOMICS	STD	OPT			
			Figure 8 Tube Over Head Guard	X	
			Grid Style Overhead Guard	X	
			Clear View Overhead Guard		X
			Rear Drive Handle with Horn Button		X
			Console Tray	X	
			127mm / 5" Colour Touchscreen Display	X	
			Full Suspension Vinyl Seat		X
			Full Suspension Cloth Seat		X
			Full Suspension Vinyl Seat - Value	X	
			Air Ride Full Suspension Vinyl Seat		X
			Air Ride Full Suspension Cloth Seat		X
OPERATION	STD	OPT			
			Key Switch Start	X	
			Keyless with Operator password start		X
			Engine driven cooling	X	
			Travel speed Alarm		X
			Battery disconnect		X
			Front Mud Guards		X
			Standard Seat Belt	X	
			HI VIS Red Seat Belt		X
			Telemetry Equipped	X	
			Hyster Tracker Wireless Monitoring		X
			Hyster Tracker Wireless Access		X
			Hyster Tracker Wireless Verification		X
			Yale Vision Wireless Monitoring		X
			Yale Vision Wireless Access		X
			Yale Vision Wireless Verification		X
APPEARANCE	STD	OPT			
			Hyster yellow paint base truck	X	
			Special paint base truck		X
			Hazard warning striping on counterweight		X
SUPPLEMENTAL	STD	OPT			
			24 Months / 4,000 Hours Warranty	X	
			36 Months / 6,000 Hours Warranty		X
			CE Certification	X	
			Literature Pack	X	

About Yale®



Yale is a leading global manufacturer and supplier of high-quality counterbalance forklift trucks, warehouse equipment and fleet solutions. 'People, products and productivity' sums up our approach to the materials handling business. With over 140 years' experience, we are proud of our reputation as an innovative, forward-thinking manufacturer.

Yale dealerships provide flexible truck servicing solutions and are linked to one of the industry's most sophisticated parts distribution operations. You'll find support for Yale forklifts throughout the EMEA region – provided by a big regional footprint stretching through Europe, Middle East and Africa.

Materials handling for:



Automotive



Beverage



Chemical



Construction



Food



Logistics



Metals



Paper



Retail



Wood

Yale Europe Materials Handling

Centennial House, Frimley Business Park,
Frimley, Surrey GU16 7SG
United Kingdom

Tel: +44 (0) 1276 538500

Fax: +44 (0) 1276 538559

www.yale.com



Publication part no. 220990738 Rev.00 Printed in The Netherlands (0221HG) EN.

HYSTER-YALE UK LIMITED trading as Yale Europe Materials Handling.

Safety: This truck conforms to the current EU requirements.

Specification is subject to change without notice.

Yale, VERACITOR and are registered trademarks. "PEOPLE, PRODUCTS, PRODUCTIVITY",

PREMIER, Hi-Vis, and CSS are trademarks in the United States and certain other jurisdictions.

MATERIALS HANDLING CENTRAL and MATERIAL HANDLING CENTRAL are Service Marks in the

United States and certain other jurisdictions. is a Registered Copyright. © Yale Europe Materials

Handling 2020. All rights reserved. Truck shown with optional equipment.

Country of Registration: England and Wales. Company Registration Number: 02636775