

Engine Powered Forklift 1.5 - 7.0 ton

8FGCU15-30
8FGC35U-70U



Engine Powered Forklift 1.5 - 1.75 ton

Truck specifications					8FGCU15	8FGCU18
Identification	1.1	Manufacturer			TOYOTA	TOYOTA
	1.2	Model			8FGCU15	8FGCU18
	1.3	Drive			LPG	LPG
	1.4	Operator type			Rider seated	Rider seated
	1.5	Load capacity/rated load	Q	kg	1500 [1350]	1750 [1600]
	1.6	Load centre	c	mm	500 [600]	500 [600]
	1.8	Load distance, centre of drive axle to fork	x	mm	400	400
	1.9	Wheelbase	y	mm	1225	1225
	Weight	2.1	Service weight		kg	2670
2.2		Axle load, with load, front/rear		kg	3660/510	4100/610
2.3		Axle load, without load, front/rear		kg	1060/1610	990/1920
Tyres	3.1	Tyre - pneumatic (P), pneumatic shaped cushion (SE), solid rubber (R)			R	R
	3.2	Tyre size, front			18x6-12-1/8	18x6-12-1/8
	3.3	Tyre size, rear			14x4-1/2x8	14x4-1/2x8
	3.5	Wheels, number front/rear (x=driven wheels)			2x/2	2x/2
	3.6	Track width, front	b ₁₀	mm	795	795
	3.7	Track width, rear	b ₁₁	mm	820	820
	Dimensions	4.1	Tilt of mast/fork carriage forward/backward			a/b deg
4.2		Height, mast lowered			h ₁ mm	1960
4.3		Free lift			h ₂ mm	145
4.4		Lift			h ₃ mm	3000
		Lift height			h ₂₃ mm	3035
4.5		Height, mast extended			h ₄ mm	4255
4.7		Height of overhead guard (cab)			h ₆ mm	2035
4.8		Seat height			h ₇ mm	1010
4.12		Coupling height			h ₁₀ mm	230
4.19		Overall length			l ₁ mm	3160
4.20		Length to face of forks			l ₂ mm	2090
4.21		Overall width			b ₁ mm	945
4.22		Fork dimensions			s/e/l mm	35/100/1070
4.23		Fork carriage DIN 15 173, class/type A, B				IIA
4.24		Fork-carriage width			b ₃ mm	810
4.31		Ground clearance, with load, below mast			m ₁ mm	65
4.32		Ground clearance, centre of wheelbase			m ₂ mm	105
4.33		Aisle width for pallets 1000 x 1200 crossways			A _{st} mm	3324
4.34	Aisle width for pallets 800 x 1200 lengthways			A _{st} mm	3520	
4.35	Turning radius			W _a mm	1720	
4.36	Internal turning radius			b ₁₃ mm	492,5	
Performance data	5.1	Travel speed, with/without load			km/h	17,5/17,5
	5.2	Lift speed, with/without load			m/s	0,56/0,58
	5.3	Lowering speed, with/without load			m/s	0,50/0,55
	5.6	Max. drawbar pull, with/without load			N	16500/6800
	5.7	Gradeability, with load ¹⁾²⁾			%	39
	5.8	Max. gradeability, with/without load ²⁾			%	43/20
	5.10	Service brake				Hydraulic
Combustion engine	7.1	Engine manufacturer/type				TOYOTA 4Y-ECS
	7.2	Engine power acc. to ISO 1585			kW	36
	7.3	Rated speed			1/min	2250
	7.4	No. of cylinders/displacement			cm ³	4/2237
Others	8.2	Operating pressure for attachments			bar	160
	8.3	Oil volume for attachments			l/min	60,6
	8.4	Sound level at the driver's ear according to EN 12 053			dB(A)	78

¹⁾ At 1,5 km/h.

²⁾ Computed values.

Performance data and dimensions are nominal and subject to tolerances.

Specifications are subject to change without notice.

Please obtain the latest specifications before contracting products.

Most dimensions and rated capacities

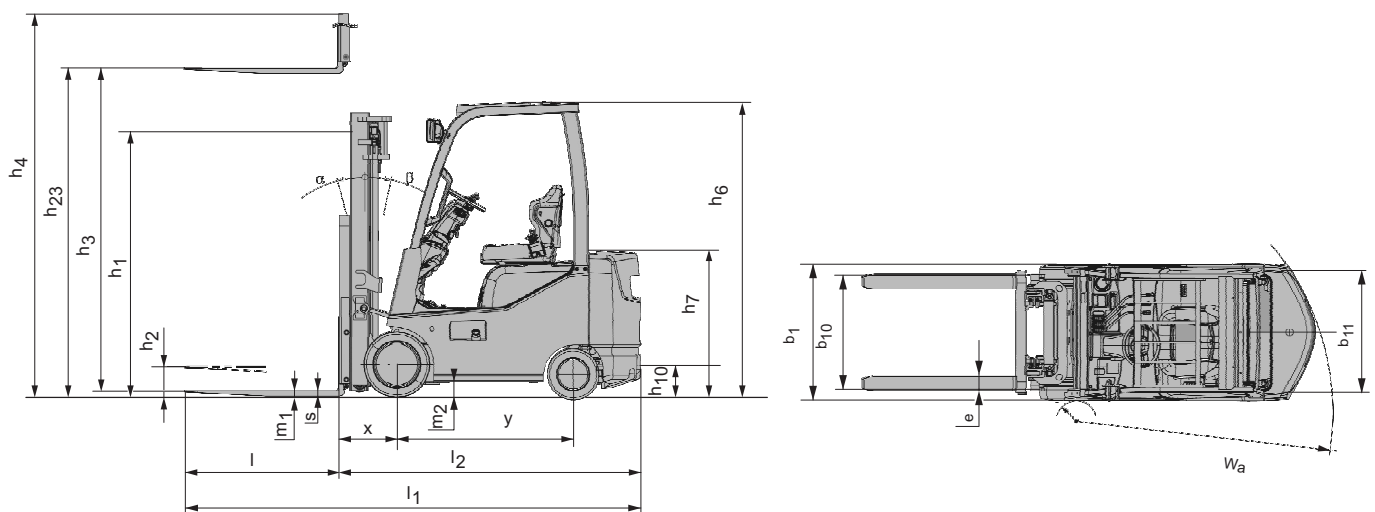
Model		V				FV			FSV						
8FGCU15/18	Lift height	h_{23}	3035	3335	3535	3735	3035	3335	3535	4035	4335	4835	5035	5535	6035
	Lift	h_3	3000	3300	3500	3700	3000	3300	3500	4000	4300	4800	5000	5500	6000
	Height, mast lowered	h_1	1960	2115	2210	2370	1960	2110	2210	1860	1960	2110	2210	2370	2560
	Height, mast extended ¹⁾	h_4	3570	3870	4170	4270	3525	3825	4025	4565	4865	5320	5565	6065	6565
	Height, mast extended ²⁾	h_4	4255	4555	4755	4955	4255	4555	4755	5255	5555	6020	6255	6755	7255
	Free lift, without load backrest	h_2	145	145	145	145	1435	1585	1685	1340	1440	1590	1690	1850	2040
	Free lift, with load backrest	h_2	145	145	145	145	740	890	990	640	740	890	990	1150	1340

1) Without load backrest.

2) With load backrest; Height of standard load backrest is 1220 mm.

Standard tread		V				FV			FSV						
8FGCU15	Tilt range, forward	deg	6	6	6	6	6	6	6	6	6	6	6	6	6
	Tilt range, backward	deg	10	10	10	10	10	10	10	5	5	5	5	5	5
	Load capacity at 500 mm LC	kg	1500	1500	1500	1500	1500	1500	1500	1500	1450	1400	1400	900	600
	Load capacity at 600 mm LC	kg	1350	1350	1350	1350	1350	1350	1350	1350	1350	1350	1300	1050	700
8FGCU18	Tilt range, forward	deg	6	6	6	6	6	6	6	6	6	6	6	6	6
	Tilt range, backward	deg	10	10	10	10	10	10	10	5	5	5	5	5	5
	Load capacity at 500 mm LC	kg	1750	1750	1750	1750	1750	1750	1750	1750	1750	1600	1550	1350	850
	Load capacity at 600 mm LC	kg	1600	1600	1600	1600	1600	1600	1600	1600	1600	1450	1450	1250	750

Wide tread		V				FV			FSV						
8FGCU15	Tilt range, forward	deg	6	6	6	6	6	6	6	6	6	6	6	6	6
	Tilt range, backward	deg	10	10	10	10	10	10	10	5	5	5	5	5	5
	Load capacity at 500 mm LC	kg	1500	1500	1500	1500	1500	1500	1500	1500	1450	1400	1400	1350	900
	Load capacity at 600 mm LC	kg	1350	1350	1350	1350	1350	1350	1350	1350	1350	1350	1300	1250	1000



Engine Powered Forklift 2.0 - 2.5 ton

Truck specifications					8FGCU20	8FGCU25
Identification	1.1	Manufacturer			TOYOTA	TOYOTA
	1.2	Model			8FGCU20	8FGCU25
	1.3	Drive			LPG	LPG
	1.4	Operator type			Rider seated	Rider seated
	1.5	Load capacity/rated load	Q	kg	2000 [1800]	2500 [2250]
	1.6	Load centre	c	mm	500 [600]	500 [600]
	1.8	Load distance, centre of drive axle to fork	x	mm	425	425
	1.9	Wheelbase	y	mm	1485	1485
	Weight	2.1	Service weight		kg	3240
2.2		Axle load, with load, front/rear		kg	4620/620	5340/790
2.3		Axle load, without load, front/rear		kg	1370/1870	1280/2350
Tyres	3.1	Tyre - pneumatic (P), pneumatic shaped cushion (SE), solid rubber (R)			R	R
	3.2	Tyre size, front			21x7x15	21x7x15
	3.3	Tyre size, rear			16x5x10-1/2	16x5x10-1/2
	3.5	Wheels, number front/rear (x=driven wheels)			2x/2	2x/2
	3.6	Track width, front	b ₁₀	mm	890	890
	3.7	Track width, rear	b ₁₁	mm	915	915
	Dimensions	4.1	Tilt of mast/fork carriage forward/backward			a/b deg
4.2		Height, mast lowered			h ₁ mm	1965
4.3		Free lift			h ₂ mm	155
4.4		Lift			h ₃ mm	3000
		Lift height			h ₂₃ mm	3040
4.5		Height, mast extended			h ₄ mm	4260
4.7		Height of overhead guard (cab)			h ₆ mm	2050
4.8		Seat height			h ₇ mm	
4.12		Coupling height			h ₁₀ mm	260
4.19		Overall length			l ₁ mm	3385
4.20		Length to face of forks			l ₂ mm	2315
4.21		Overall width			b ₁ mm	1065
4.22		Fork dimensions			s/e/l mm	40/125/1070
4.23		Fork carriage DIN 15 173, class/type A, B			IIA	IIA
4.24		Fork-carriage width			b ₃ mm	920
4.31		Ground clearance, with load, below mast			m ₁ mm	70
4.32		Ground clearance, centre of wheelbase			m ₂ mm	105
4.33		Aisle width for pallets 1000 x 1200 crossways			A _{st} mm	3545
4.34	Aisle width for pallets 800 x 1200 lengthways			A _{st} mm	3745	
4.35	Turning radius			W _a mm	1920	
4.36	Internal turning radius			b ₁₃ mm	587,5	
Performance data	5.1	Travel speed, with/without load			km/h	17/17
	5.2	Lift speed, with/without load			m/s	0,63/0,645
	5.3	Lowering speed, with/without load			m/s	0,50/0,50
	5.6	Max. drawbar pull, with/without load			N	18500/8300
	5.7	Gradeability, with load ^{1) 2)}			%	36
	5.8	Max. gradeability, with/without load ²⁾			%	36/21
	5.10	Service brake				Hydraulic
Combustion engine	7.1	Engine manufacturer/type				TOYOTA 4Y-ECS
	7.2	Engine power acc. to ISO 1585			kW	38
	7.3	Rated speed			l/min	2570
	7.4	No. of cylinders/displacement			cm ³	4/2237
Others	8.2	Operating pressure for attachments			bar	160
	8.3	Oil volume for attachments			l/min	75,7
	8.4	Sound level at the driver's ear according to EN 12 053			dB(A)	78

¹⁾ At 1,5 km/h.

²⁾ Computed values.

Performance data and dimensions are nominal and subject to tolerances.

Specifications are subject to change without notice.

Please obtain the latest specifications before contracting products.

Most dimensions and rated capacities

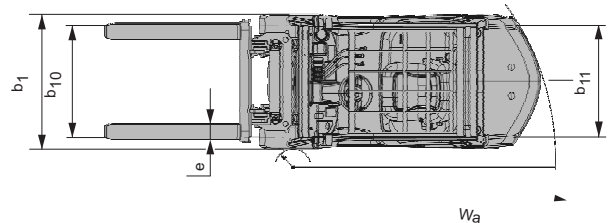
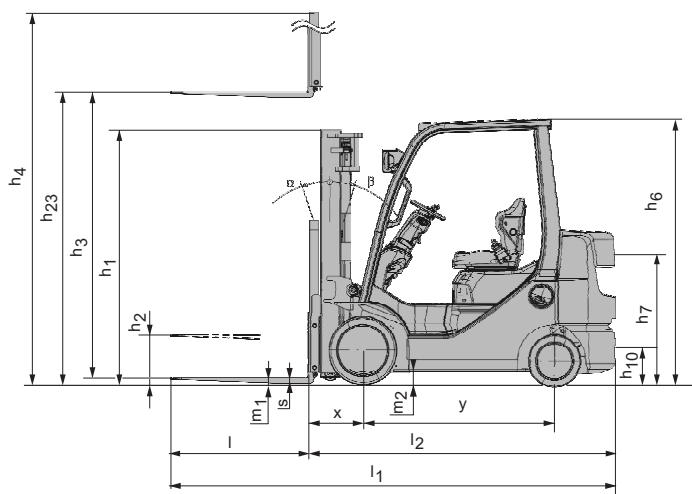
Model			V					FV			FSV					
8FGCU20/25	Lift height	h_{23}	3040	3340	3540	3740	4040	3040	3340	3540	4040	4340	4840	5040	5540	6040
	Lift	h_3	3000	3300	3500	3700	4000	3000	3300	3500	4000	4300	4800	5000	5500	6000
	Height, mast lowered	h_1	1965	2115	2215	2375	2565	1965	2115	2215	1865	1965	2115	2215	2375	2565
	Height, mast extended ¹⁾	h_4	3650	3950	4150	4350	4650	3640	3940	4140	4640	4940	5405	5640	6140	6640
	Height, mast extended ²⁾	h_4	4260	4560	4760	4960	5260	4260	4560	4760	5260	5560	6020	6260	6760	7260
	Free lift, without load backrest	h_2	155	155	155	155	155	1360	1510	1610	1220	1320	1470	1570	1730	1920
	Free lift, with load backrest	h_2	155	155	155	155	155	745	895	995	645	745	895	995	1155	1345

1) Without load backrest.

2) With load backrest; Height of standard load backrest is 1220 mm.

Standard tread			V					FV			FSV					
8FGCU20	Tilt range, forward	deg	6	6	6	6	6	6	6	6	6	6	6	6	6	6
	Tilt range, backward	deg	10	10	10	10	10	10	10	10	5	5	5	5	5	5
	Load capacity at 500 mm LC	kg	2000	2000	2000	2000	2000	2000	2000	2000	2000	2000	2000	2000	1700	1250
	Load capacity at 600 mm LC	kg	1800	1800	1800	1800	1800	1800	1800	1800	1800	1800	1800	1750	1600	1250
8FGCU25	Tilt range, forward	deg	6	6	6	6	6	6	6	6	6	6	6	6	6	6
	Tilt range, backward	deg	10	10	10	10	10	10	10	10	5	5	5	5	5	5
	Load capacity at 500 mm LC	kg	2500	2500	2500	2500	2500	2500	2500	2500	2500	2500	2400	2300	1700	1100
	Load capacity at 600 mm LC	kg	2250	2250	2250	2250	2250	2250	2250	2250	2250	2250	2250	2100	1750	1100

Wide tread			V					FV			FSV					
8FGCU20	Tilt range, forward	deg	6	6	6	6	6	6	6	6	6	6	6	6	6	6
	Tilt range, backward	deg	10	10	10	10	10	10	10	10	5	5	5	5	5	5
	Load capacity at 500 mm LC	kg	2000	2000	2000	2000	2000	2000	2000	2000	2000	2000	2000	2000	1800	1400
	Load capacity at 600 mm LC	kg	1800	1800	1800	1800	1800	1800	1800	1800	1800	1800	1800	1750	1700	1500
8FGCU25	Tilt range, forward	deg	6	6	6	6	6	6	6	6	6	6	6	6	6	6
	Tilt range, backward	deg	10	10	10	10	10	10	10	10	5	5	5	5	5	5
	Load capacity at 500 mm LC	kg	2500	2500	2500	2500	2500	2500	2500	2500	2500	2500	2500	2500	2100	1350
	Load capacity at 600 mm LC	kg	2250	2250	2250	2250	2250	2250	2250	2250	2250	2250	2250	2100	2050	1450



Engine Powered Forklift 3.0 ton

Truck specifications					8FGCU30
Identification	1.1	Manufacturer			TOYOTA
	1.2	Model			8FGCU30
	1.3	Drive			LPG
	1.4	Operator type			Rider seated
	1.5	Load capacity/rated load	Q	kg	3000 [2700]
	1.6	Load centre	c	mm	500 [600]
	1.8	Load distance, centre of drive axle to fork	x	mm	450
	1.9	Wheelbase	y	mm	1485
	Weight	2.1	Service weight		kg
2.2		Axle load, with load, front/rear		kg	6310/910
2.3		Axle load, without load, front/rear		kg	1390/2830
Tyres	3.1	Tyre - pneumatic (P), pneumatic shaped cushion (SE), solid rubber (R)			R
	3.2	Tyre size, front			21x8x15
	3.3	Tyre size, rear			16x6x10-1/2
	3.5	Wheels, number front/rear (x=driven wheels)			2x/2
	3.6	Track width, front	b ₁₀	mm	910
	3.7	Track width, rear	b ₁₁	mm	915
	Dimensions	4.1	Tilt of mast/fork carriage forward/backward	a/b	deg
4.2		Height, mast lowered	h ₁	mm	1960
4.3		Free lift	h ₂	mm	135
4.4		Lift	h ₃	mm	3000
		Lift height	h ₂₃	mm	3045
4.5		Height, mast extended	h ₄	mm	4265
4.7		Height of overhead guard (cab)	h ₆	mm	2050
4.8		Seat height	h ₇	mm	
4.12		Coupling height	h ₁₀	mm	260
4.19		Overall length	l ₁	mm	3545
4.20		Length to face of forks	l ₂	mm	2475
4.21		Overall width	b ₁	mm	1110
4.22		Fork dimensions	s/e/l	mm	45/125/1070
4.23		Fork carriage DIN 15 173, class/type A, B			IIIA
4.24		Fork-carriage width	b ₃	mm	970
4.31		Ground clearance, with load, below mast	m ₁	mm	65
4.32		Ground clearance, centre of wheelbase	m ₂	mm	105
4.33		Aisle width for pallets 1000 x 1200 crossways	A _{st}	mm	3680
4.34	Aisle width for pallets 800 x 1200 lengthways	A _{st}	mm	3880	
4.35	Turning radius	W _a	mm	2030	
4.36	Internal turning radius	b ₁₃	mm	610	
Performance data	5.1	Travel speed, with/without load		km/h	17/17
	5.2	Lift speed, with/without load		m/s	0,52/0,55
	5.3	Lowering speed, with/without load		m/s	0,50/0,50
	5.6	Max. drawbar pull, with/without load		N	18500/7800
	5.7	Gradeability, with load ¹⁾²⁾		%	22
	5.8	Max. gradeability, with/without load ²⁾		%	25/16
	5.10	Service brake			Hydraulic
Combustion engine	7.1	Engine manufacturer/type			TOYOTA 4Y-ECS
	7.2	Engine power acc. to ISO 1585		kW	38
	7.3	Rated speed		1/min	2570
	7.4	No. of cylinders/displacement		cm ³	4/2237
Others	8.2	Operating pressure for attachments		bar	160
	8.3	Oil volume for attachments		l/min	75,7
	8.4	Sound level at the driver's ear according to EN 12 053		dB(A)	78

¹⁾ At 1,5 km/h.

²⁾ Computed values.

Performance data and dimensions are nominal and subject to tolerances.

Specifications are subject to change without notice.

Please obtain the latest specifications before contracting products.

Master dimensions and rated capacities

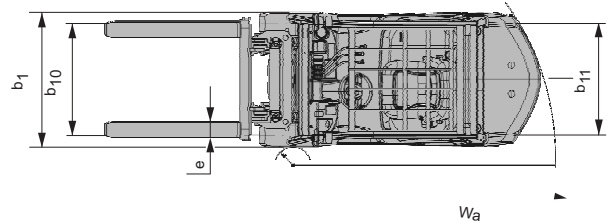
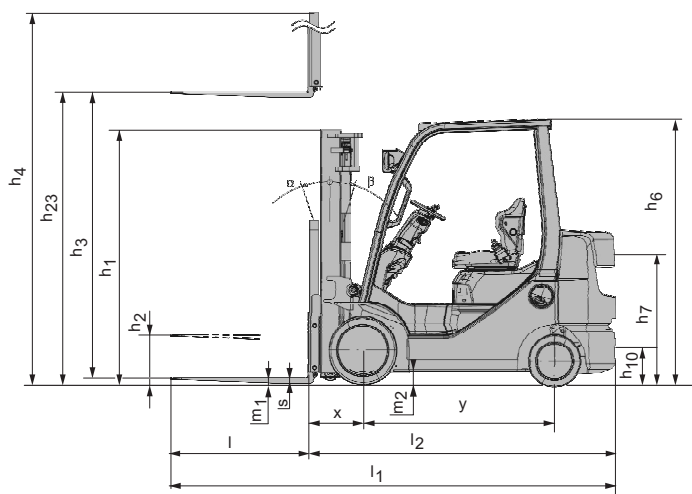
Model			V					FV			FSV					
8FGCU30	Lift height	h_{23}	3045	3345	3545	3745	4045	3045	3345	3545	4045	4345	4845	5045	5545	6045
	Lift	h_3	3000	3300	3500	3700	4000	3000	3300	3500	4000	4300	4800	5000	5500	6000
	Height, mast lowered	h_1	1960	2110	2210	2370	2560	1960	2110	2210	1960	2110	2210	2370	2560	2810
	Height, mast extended ¹⁾	h_4	3695	3995	4195	4395	4695	3600	3900	4100	4600	4900	5300	5600	6100	6600
	Height, mast extended ²⁾	h_4	4265	4565	4765	4965	5265	4265	4565	4765	5265	5565	5965	6265	6765	7265
	Free lift, without load backrest	h_2	135	135	135	135	135	1360	1510	1610	1400	1550	1650	1810	2000	2250
	Free lift, with load backrest	h_2	135	135	135	135	135	740	890	990	740	890	990	1150	1340	1590

1) Without load backrest.

2) With load backrest; Height of standard load backrest is 1220 mm.

Standard tread			V					FV			FSV					
8FGCU30	Tilt range, forward	deg	6	6	6	6	6	6	6	6	6	6	6	6	6	6
	Tilt range, backward	deg	10	10	10	10	10	10	10	10	5	5	5	5	5	5
	Load capacity at 500 mm LC	kg	3000	3000	3000	3000	3000	3000	3000	3000	3000	2950	2900	2800	2400	1800
	Load capacity at 600 mm LC	kg	2700	2700	2700	2700	2700	2700	2700	2700	2700	2700	2700	2650	2400	1800

Wide tread			V					FV			FSV					
8FGCU30	Tilt range, forward	deg	6	6	6	6	6	6	6	6	6	6	6	6	6	6
	Tilt range, backward	deg	10	10	10	10	10	10	10	10	5	5	5	5	5	5
	Load capacity at 500 mm LC	kg	3000	3000	3000	3000	3000	3000	3000	3000	3000	2950	2900	2800	2600	2350
	Load capacity at 600 mm LC	kg	2700	2700	2700	2700	2700	2700	2700	2700	2700	2700	2700	2650	2550	2350



Engine Powered Forklift 3.5 - 4.5 ton

Truck specifications						8FGC35U	8FGC45U
Identification	1.1	Manufacturer				TOYOTA	TOYOTA
	1.2	Model				8FGC35U	8FGC45U
	1.3	Drive				LPG	LPG
	1.4	Operator type				Rider seated	Rider seated
	1.5	Load capacity/rated load	Q	kg		3500	4500
	1.6	Load centre	c	mm		600	600
	1.8	Load distance, centre of drive axle to fork	x	mm		450	460
	1.9	Wheelbase	y	mm		1570	1570
Weight	2.1	Service weight		kg		5730	6580
	2.2	Axle load, with load, front/rear		kg		7920/1310	9550/1530
	2.3	Axle load, without load, front/rear		kg		2080/3650	2010/4570
Tyres	3.1	Tyre - pneumatic (P), pneumatic shaped cushion (SE), solid rubber (R)				SE	SE
	3.2	Tyre size, front				22x9x16	22x12x16
	3.3	Tyre size, rear				18x6x12-1/8	18x7x12-1/8
	3.5	Wheels, number front/rear (x=driven wheels)				2x/2	2x/2
	3.6	Track width, front	b ₁₀	mm		1040	1115
	3.7	Track width, rear	b ₁₁	mm		1050	1080
	Dimensions	4.1	Tilt of mast/fork carriage forward/backward	a/b	deg		5/6
4.2		Height, mast lowered	h ₁	mm		2060	2110
4.3		Free lift	h ₂	mm		110	110
4.4		Lift	h ₃	mm		3000	3000
		Lift height	h ₂₃	mm		3050	3050
4.5		Height, mast extended	h ₄	mm		4270	4270
4.7		Height of overhead guard (cab)	h ₆	mm		2120	2120
4.8		Seat height	h ₇	mm		1034	1034
4.12		Coupling height	h ₁₀	mm		335	335
4.19		Overall length	l ₁	mm		3695	3790
4.20		Length to face of forks	l ₂	mm		2625	2720
4.21		Overall width	b ₁	mm		1270	1420
4.22		Fork dimensions	s/e/l	mm		50x150x1070	50x150x1070
4.23		Fork carriage DIN 15 173, class/type A, B				IIIA	IIIA
4.24		Fork-carriage width	b ₃	mm		1090	1090
4.31		Ground clearance, with load, below mast	m ₁	mm		85	85
4.32		Ground clearance, centre of wheelbase	m ₂	mm		145	145
4.33		Aisle width for pallets 1000 x 1200 crossways	A _{st}	mm		3930	4050
4.34	Aisle width for pallets 800 x 1200 lengthways	A _{st}	mm		4130	4250	
4.35	Turning radius	W _a	mm		2280	2390	
4.36	Internal turning radius	b ₁₃	mm		695	770	
Performance data	5.1	Travel speed, with/without load		km/h		19/19	19/19
	5.2	Lift speed, with/without load		m/s		0,51/0,55	0,50/0,51
	5.3	Lowering speed, with/without load		m/s		0,53/0,48	0,54/0,49
	5.6	Max. drawbar pull, with/without load		N		44000/11500	44000/10900
	5.7	Gradeability, with load ¹⁾²⁾		%		37	30
	5.8	Max. gradeability, with/without load ²⁾		%		47/19	37/15
	5.10	Service brake				Hydraulic	Hydraulic
Combustion engine	7.1	Engine manufacturer/type				TOYOTA 1FS	TOYOTA 1FS
	7.2	Engine power acc. to ISO 1585		kW		63	63
	7.3	Rated speed		1/min		2350	2350
	7.4	No. of cylinders/displacement		cm ³		4/3685	4/3685
	7.5	Fuel consumption according to VDI60		kg/h		4,1	4,4
Others	8.2	Operating pressure for attachments		bar		181	181
	8.3	Oil volume for attachments		l/min		128	128
	8.4	Sound level at the driver's ear according to EN 12 053		dB(A)		84	84

¹⁾ At 1,5 km/h.

²⁾ Computed values.

Performance data and dimensions are nominal and subject to tolerances.

Specifications are subject to change without notice.

Please obtain the latest specifications before contracting products.

Master dimensions and rated capacities

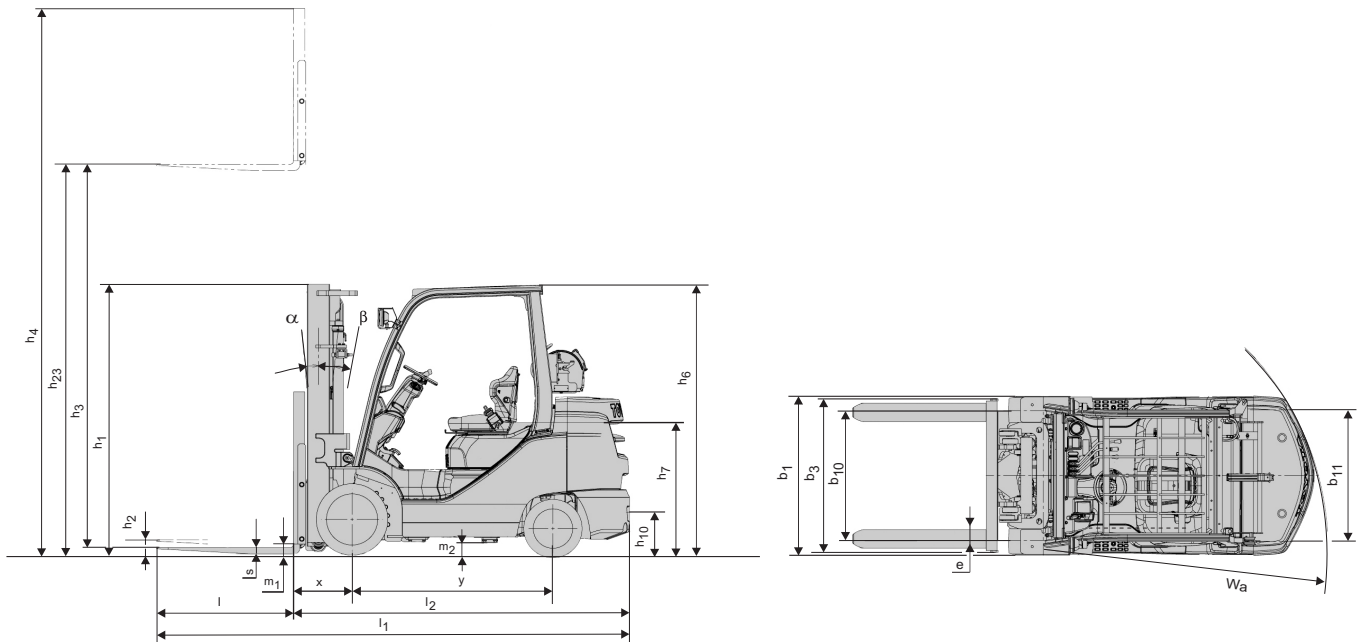
Model		V			FV		FSV						
8FGC35U	Lift height	h_{23}	3050	3350	3750	3050	3350	4050	4350	4750	5050	5550	6050
	Lift	h_3	3000	3300	3700	3000	3300	4000	4300	4700	5000	5500	6000
	Height, mast lowered	h_1	2060	2240	2440	2060	2240	1940	2060	2240	2340	2490	2690
	Height, mast extended ¹⁾	h_4	3800	4100	4500	3830	4130	4850	5150	5550	5850	6350	6850
	Height, mast extended ²⁾	h_4	4270	4570	4970	4270	4570	5270	5570	5970	6270	6770	7270
	Free lift, without load backrest	h_2	110	110	110	1280	1460	1140	1260	1440	1540	1690	1890
	Free lift, with load backrest	h_2	110	110	110	840	1020	720	840	1020	1120	1270	1470
8FGC45U	Lift height	h_{23}	3050	3350	3750	3050	3350	4050	4350	4750	5050	5550	6050
	Lift	h_3	3000	3300	3700	3000	3300	4000	4300	4700	5000	5500	6000
	Height, mast lowered	h_1	2110	2340	2540	2110	2340	2060	2175	2340	2490	2690	2940
	Height, mast extended ¹⁾	h_4	3860	4160	4560	3865	4165	4865	5165	5565	5865	6365	6865
	Height, mast extended ²⁾	h_4	4270	4570	4970	4270	4570	5270	5570	5970	6270	6770	7270
	Free lift, without load backrest	h_2	110	110	110	1295	1525	1245	1360	1525	1675	1875	2125
	Free lift, with load backrest	h_2	110	110	110	890	1120	840	955	1120	1270	1470	1720

1) Without load backrest.

2) With load backrest; Height of standard load backrest is 1220 mm.

Standard tread		V			FV		FSV						
8FGC35U	Tilt range, forward	deg	5	5	5	5	5	5	5	5	5	5	5
	Tilt range, backward	deg	6	6	6	6	6	5	5	5	5	5	5
	Load capacity at 500 mm LC	kg	4000	4000	4000	4000	4000	4000	4000	3900	3800	3650	-
	Load capacity at 600 mm LC	kg	3500	3500	3500	3500	3500	3500	3500	3500	3500	3400	-
8FGC45U	Tilt range, forward	deg	5	5	5	5	5	5	5	5	5	5	5
	Tilt range, backward	deg	6	6	6	6	6	5	5	5	5	5	5
	Load capacity at 500 mm LC	kg	4990	4990	4990	4990	4990	4990	4850	4750	4650	4450	3600
	Load capacity at 600 mm LC	kg	4500	4500	4500	4500	4500	4500	4500	4500	4500	4370	4000

Wide tread		V			FV		FSV						
8FGC35U	Tilt range, forward	deg	5	5	5	5	5	5	5	5	5	5	5
	Tilt range, backward	deg	6	6	6	6	6	5	5	5	5	5	5
	Load capacity at 500 mm LC	kg	4000	4000	4000	4000	4000	4000	4000	3900	3800	3650	2950
	Load capacity at 600 mm LC	kg	3500	3500	3500	3500	3500	3500	3500	3500	3500	3400	2950



Engine Powered Forklift 7.0 ton

Truck specifications					8FGC70U
Identification	1.1	Manufacturer			TOYOTA
	1.2	Model			8FGC70U
	1.3	Drive			LPG
	1.4	Operator type			Rider seated
	1.5	Load capacity/rated load	Q	kg	7000
	1.6	Load centre	c	mm	600
	1.8	Load distance, centre of drive axle to fork	x	mm	530
	1.9	Wheelbase	y	mm	1885
	Weight	2.1	Service weight		kg
2.2		Axle load, with load, front/rear		kg	14500/1790
2.3		Axle load, without load, front/rear		kg	3290/6000
Tyres	3.1	Tyre - pneumatic (P), pneumatic shaped cushion (SE), solid rubber (R)			SE
	3.2	Tyre size, front			28x12x22
	3.3	Tyre size, rear			22x8x16
	3.5	Wheels, number front/rear (x=driven wheels)			2x/2
	3.6	Track width, front	b ₁₀	mm	1145
	3.7	Track width, rear	b ₁₁	mm	1090
	Dimensions	4.1	Tilt of mast/fork carriage forward/backward	a/b	deg
4.2		Height, mast lowered	h ₁	mm	2400
4.3		Free lift	h ₂	mm	125
4.4		Lift	h ₃	mm	3000
		Lift height	h ₂₃	mm	3065
4.5		Height, mast extended	h ₄	mm	4435
4.7		Height of overhead guard (cab)	h ₆	mm	2185
4.8		Seat height	h ₇	mm	1098
4.12		Coupling height	h ₁₀	mm	375
4.19		Overall length	l ₁	mm	4220
4.20		Length to face of forks	l ₂	mm	3000
4.21		Overall width	b ₁	mm	1450
4.22		Fork dimensions	s/e/l	mm	65x150x1220
4.23		Fork carriage DIN 15 173, class/type A, B			IV
4.24		Fork-carriage width	b ₃	mm	1170
4.31		Ground clearance, with load, below mast	m ₁	mm	85
4.32		Ground clearance, centre of wheelbase	m ₂	mm	180
4.33		Aisle width for pallets 1000 x 1200 crossways	A _{st}	mm	4320
4.34	Aisle width for pallets 800 x 1200 lengthways	A _{st}	mm	4520	
4.35	Turning radius	W _a	mm	2590	
4.36	Internal turning radius	b ₁₃	mm	775	
Performance data	5.1	Travel speed, with/without load		km/h	21/21
	5.2	Lift speed, with/without load		m/s	0,41/0,44
	5.3	Lowering speed, with/without load		m/s	0,53/0,48
	5.6	Max. drawbar pull, with/without load		N	44000/18300
	5.7	Gradeability, with load ^{1) 2)}		%	20
	5.8	Max. gradeability, with/without load ²⁾		%	28/18
	5.10	Service brake			Hydraulic
Combustion engine	7.1	Engine manufacturer/type			TOYOTA 1FS
	7.2	Engine power acc. to ISO 1585		kW	66
	7.3	Rated speed		1/min	2550
	7.4	No. of cylinders/displacement		cm ³	4/3685
	7.5	Fuel consumption according to VDI60		kg/h	6,9
Others	8.2	Operating pressure for attachments		bar	206
	8.3	Oil volume for attachments		l/min	128
	8.4	Sound level at the driver's ear according to EN 12 053		dB(A)	84

¹⁾ At 1,5 km/h.

²⁾ Computed values.

Performance data and dimensions are nominal and subject to tolerances.

Specifications are subject to change without notice.

Please obtain the latest specifications before contracting products.

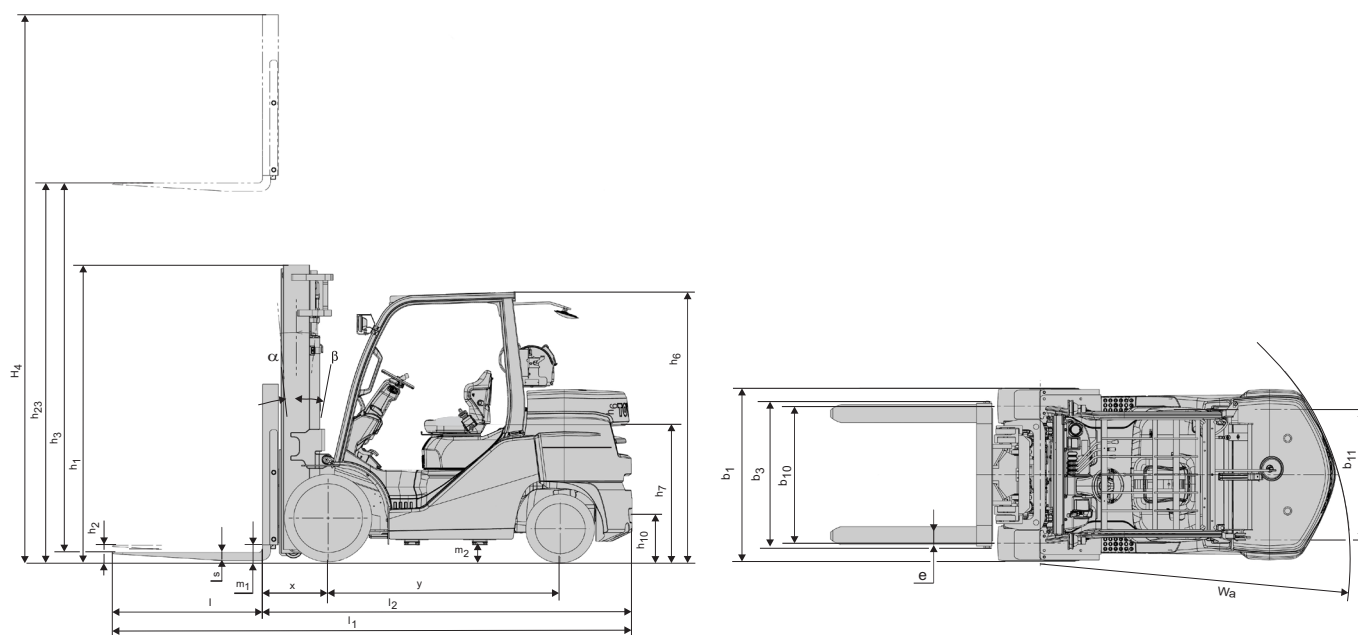
Most dimensions and rated capacities

Model			V			FSV					
8FGC70U	Lift height	h_{23}	3065	3365	3765	4065	4365	4765	5065	5565	6065
	Lift	h_3	3000	3300	3700	4000	4300	4700	5000	5500	6000
	Height, mast lowered	h_1	2400	2550	2750	2300	2400	2490	2750	3000	3050
	Height, mast extended ¹⁾	h_4	3920	4220	4620	4940	5240	5640	5940	6440	6940
	Height, mast extended ²⁾	h_4	4435	4735	5135	5435	5735	6135	6435	6935	7435
	Free lift, without load backrest	h_2	125	125	125	1425	1525	1615	1875	2125	2175
	Free lift, with load backrest	h_2	125	125	125	930	1030	1120	1380	1630	1680

1) Without load backrest.

2) With load backrest; Height of standard load backrest is 1370 mm.

Standard tread			V			FSV					
8FGC70U	Tilt range, forward	deg	5	5	5	5	5	5	5	5	5
	Tilt range, backward	deg	6	6	6	6	6	6	6	6	6
	Load capacity at 600 mm LC	kg	7000	7000	7000	6960	6960	6800	6660	6480	6300



Standard equipments:

- Toyota SAS (System of Active Stability*)
- Toyota OPS (Operator Presence Sensing)
- Toyota ORS seat (Operator Restraint System)
- Mechanical levers
- Wide visible mast [MFH: 3000 mm]
- Load backrest [Height: 1220 mm (8FGCU15/18) (8FGCU20/25) (8FGCU30) (8FGC35U/45U), 1370 mm (8FGC70U)]
- Long forks [Length: 1070 mm (8FGCU15/18) (8FGCU20/25) (8FGCU30) (8FGC35U/45U), 1220 mm (8FGC70U)]
- Long forkbar [Length: 810 mm (8FGCU15/18), 920 mm (8FGCU20/25); 970 mm (8FGCU30), 1090 mm (8FGC35U/45U), 1170 mm (8FGC70U)]
- 3-way valve
- Cushion tyres
- Full hydraulic power steering
- 8" Cyclone air cleaner with snorkel air intake
- Anti-restart ignition key switch
- Headlights
- Integrated monitoring center
- Tilt steering column

* = When dual tyres are selected, the Active Control Rear Stabilizer function of the SAS system of Active Stability (SAS) is not included.



TP-Technical Publications, Sweden — 745568-040, version 1, 1402