



**4 - WHEEL ELECTRIC
7 F B C
CUSHION TIRE**

3,000 to 6,500 lbs. • *1,360 to 2,948 kg.*

S P E C I F I C A T I O N S

 **TOYOTA**

INDUSTRIAL EQUIPMENT 

3,000 to 6,500 lbs. 1,360 to 2,948 kg • Standard Equipment

SAFETY

- System of Active Stability (SAS)
 - Active control rear stabilizer
 - Active mast function controller
 - SAS Operation Monitor
 - SAS warning light and alarm
- Key lowering interlock
- Double-action parking brake
- Drift control system
- Asbestos free components
- Electric horn
- Manual return to neutral safety switch
- Back-up alarm

PERFORMANCE

- 48 Volt electrical system
- AC drive system (MOSFET Transistor)
- Three forms of energy regeneration
 - Coast control
 - Plug braking
 - Foot braking
- Built-in analyzer
- Self-diagnostics
- Digital multifunction display
 - Time & Date
 - Speedometer
 - Multifunction hour meters
 - Battery capacity indicator
 - Parking brake indicator
 - Over discharge warning (lift interrupt)
 - Swing lock cylinder indicator
- Power select functions (S.P.H.)
- UL-approved model type E
- 3-way hydraulic control valve
- Power keep function
- Auto shut-off (after 15 minutes)
- EHPS (On demand, Electronic Hydraulic Power Steering)

BODY/EXTERIOR DESIGN

- Wide view 2-stage mast (V)
- Wide view carriage bars
- Bolt-on overhead guard
- Punched plate entry/exit steps
- 48" load backrest extension
- Easy-access hydraulic motor
- 85-degree wide-opening battery hood
- Chassis: Field retrofitable for battery slide-out
- Drawbar pin
- Tie-down hooks
- Smooth cushion tires
- 26.8" battery compartment (3-3.5k)
- 30.5" battery compartment (4-5k)
- 34.3" battery compartment (6-6.5k)
- 86.4" OHG height (3-3.5k)
- 88.0" OHG height (4-6.5k)

OPERABILITY AND ERGONOMICS

- Strategically configured instrument display
- Hydrostatic power steering
- Cowl-mounted hydraulic controls
- Automatic fork leveling control
- Single operator assist grip
- Electric directional shift control
- Memory-tilt steering column
- Driver's 4-way adjustable ultra-comfort cloth semi-suspension seat with adjustable lumbar support
- Transistorized load handling controller
- Heavy-duty non-slip floor mat
- Two-spoke steering wheel
- Dash integrated pen/pencil holder
- Hood integrated clip board
- Dash-mounted cup holder
- Adjustable front headlights and guards
- Front combination lights - includes clearance lights and turn signal
- High mount rear combination lights - includes brake, clearance back-up lights and turn signal
- Easy access no-tools floorboard

SERVICEABILITY

- AC drive motor (no brushes or commutator)
- Battery compartment hood assist dampers
- Motor brush wear/overheat protection (Hydraulic motor only)

OPTIONAL EQUIPMENT

- UL-approved model type EE
- UL-approved model type ES
- Cold storage model
- 36 Volt electrical system
- Keyless key switch
- Battery slide-out
- 4-way hydraulic control valve
- Sideshifter
- Inching EPROM (4-5k)
- Seat brake
- EZ Pedal (foot directional control)
- Smooth cushion tires
- Non-marking tires
- Wide tread (except 3.5k)
- Battery compartment side panels
- Vinyl 4-way adjustable semi-suspension seat
- Drive-in rack overhead guard
- Operator compartment light
- 83.5" (3000 - 3500) & 84.9" (4000 - 6500) overhead guard heights
- Rear view mirrors (left & right)
- Strobe light (yellow, red, blue & clear)
- Rear working light
- Tilt cylinder boots
- Adjustable volume back-up alarm (Smart alarm)
- Anti-static ground strap
- Wide-view full free lift 2-stage mast (FV)
- Wide-view full free lift 3-stage mast (FSV)
- Wide-view full free lift 4-stage mast (QFV) (4-6.5k)
- Tapered forks
- Fully tapered & polished forks (FTP)
- Various carriage widths
- Various load backrest extension heights
- Bottler's tilt
- Side hosing termination
- Pencil/tape holder
- Fire extinguisher
- 34" battery compartment (option on 5k, std on 6-6.5k)
- Quick disconnects (single & dual)
- 12V power supply

Note: Please check with your local Toyota sales professional for additional options.

Models		7FBCU15	30-7FBCU15 (UL"EE")	7FBCU18	30-7FBCU18 (UL"EE")	7FBCU20	30-7FBCU20
Load Capacity (with 24-in. load center 600 mm)	lb. kg	3000 1360	3000 1360	3500 1587	3500 1587	4000 1814	4000
		Service (Foot) brake - Hydraulic		Parking brake - Hand			

EXTERIOR DIMENSIONS

Model	Unit	7FBCU15	30-7FBCU15 (UL"EE")	7FBCU18	30-7FBCU18 (UL"EE")	7FBCU20	30-7FBCU20
A Maximum Fork Height (MFH)	in. mm	131 3335	131 3335	131 3335	131 3335	131.5 3340	131.5
B Mast Lowered Height	in. mm	83.1 2110	83.1 2110	83.1 2110	83.1 2110	83.3 2115	83.3
C Mast Extended Height	in. mm	179.3 4555	179.3 4555	179.3 4555	179.3 4555	179.5 4560	179.5
D Free Lift	in. mm	5.7 145	5.7 145	5.7 145	5.7 145	6.1 155	6.1
E Load Distance*	in. mm	15.7 400	15.7 400	15.7 400	15.7 400	16.5 425	16.5
F Wheelbase	in. mm	48 1220	48 1220	48 1220	48 1220	51 1295	51
G Fork Size (TxWxL)	in. mm	1.4x4x42 35x100x1070	1.4x4x42 35x100x1070	1.4x4x42 35x100x1070	1.4x4x42 35x100x1070	1.6x5x42 40x125x1070	1.6x5x42 40
H Length to Fork Face	in. mm	76.8 1950	76.8 1950	76.8 1950	76.8 1950	81.5 2070	81.5
I Overhead Guard Height	in. mm	86.4 2195	86.4 2195	86.4 2195	86.4 2195	88 2235	88
J Tilt Range (forward/backward)	deg	6/10	6/10	6/10	6/10	6/10	6/10
K Outside Turning Radius	in. mm	66.3 1685	66.3 1685	66.3 1685	66.3 1685	70.5 1790	70.5
L Basic Right Angle Stacking Aisle Width**	in. mm	82.1 2085	82.1 2085	82.1 2085	82.1 2085	87.2 2215	87.2
M Overall Width	in. mm	37 945	37 945	37 945	37 945	41.9 1065	41.9
N Carriage Width	in. mm	32 813	32 813	32 813	32 813	36.2 920	36.2
O Tread Width	Front	in. mm	31.3 795	31.3 795	31.3 795	35 890	35
	Rear	in. mm	32.3 820	32.3 820	32.3 820	36 915	36

DIMENSIONS OF BATTERY COMPARTMENT

Dimension	Unit	7FBCU15	30-7FBCU15 (UL"EE")	7FBCU18	30-7FBCU18 (UL"EE")	7FBCU20	30-7FBCU20		
Width	in. mm	34.6 879	34.6 879	34.6 879	34.6 879	39.1 993	39.1		
Length	in. mm	26.8 681	26.8 681	26.8 681	26.8 681	30.5 775	30.5		
Height	without Slides / with Slides	in. mm	23.8/23 605/584	23.8/23 605/584	23.8/23 605/584	23.8/23 605/584	23.8/23		
Power Type		Battery							
Battery	Voltage/Capacity (6-hour ratings)	STD 36V/48V	680/510	680/510	680/510	680/510	1020/765		
		High 36V/48V	880/660	880/660	880/660	880/660	1320/990		
	Min. weight	lb. kg	1840 835	1840 835	1840 835	1840 835	2400 1088		
	Max. weight	lb. kg	2160 980	2160 980	2160 980	2160 980	3156 1431		
Electric Motors	Drive	36V/48V	SAE HP kW	8.3/11 6.3/8.3	6.6/8.8 5.0/6.6	8.3/11 6.3/8.3	6.6/8.8 5.0/6.6	12.8/17.5 9.7/13.2	10.4/14
	Load Handling (Hyd.)	36V/48V	SAE HP kW	9.8/13.8 7.4/10.1	7.3/10.2 5.5/7.7	9.8/13.8 7.4/10.4	7.3/10.2 5.5/7.7	12.2/17 9.2/12.8	11.4/16.3
	Power Steering	36V/48V	SAE HP kW	.9/1.2 0.7/0.9	.9/1.2 0.7/0.9	.9/1.2 0.7/0.9	.9/1.2 0.7/0.9	.9/1.2 0.7/0.9	.9/1.2
Control Type	Drive	Transistor Inverter							
	Load Handling (Hyd.)	Electromagnetic Contactor							
	Power Steering	Electromagnetic Contactor							

PERFORMANCE DATA

Parameter	Load	Voltage	Unit	7FBCU15	30-7FBCU15 (UL"EE")	7FBCU18	30-7FBCU18 (UL"EE")	7FBCU20	30-7FBCU20
Maximum Travel Speed (H-Mode)	fwd/rvs - full load	36V	mph kph	9.0 14.5	9.0 14.5	8.7 14	8.7 14	8.7 14	8.7
	fwd/rvs - full load	48V	mph kph	10.9 17.5	10.9 17.5	10.6 17	10.6 17	10.6 17	10.1
	fwd/rvs - no load	36V	mph kph	9.3 15	9.3 15	9.3 15	9.3 15	9.3 15	9.3
	fwd/rvs - no load	48V	mph kph	11.2 18	11.2 18	11.2 18	11.2 18	10.9 17.5	10.9
Lift Speed (V Mast only)	full load	36V/48V	f.p.m. mm/sec	61/85 310/430	47/63 240/320	61/81 310/410	43/61 220/310	63/85 320/430	49/59
	no load	36V/48V	f.p.m. mm/sec	110/142 560/720	89/110 450/560	110/142 560/720	89/110 450/560	104/126 530/640	93/100
Lowering Speed (V Mast only)	full load		f.p.m. mm/sec	98 500	98 500	98 500	98 500	98 500	98
	no load		f.p.m. mm/sec	108 550	108 550	108 550	108 550	98 500	98
Maximum Drawbar Pull	full load***		lb. kg	2090 950	2090 950	2080 940	2080 940	3320 1510	3320
	no load***		lb. kg	1700 770	1700 770	1670 760	1670 760	2140 970	2140
Maximum Gradeability	full load***		%tan	20	20	18	18	25	25
	no load***		%tan	21	21	20	20	23	23

UNDERCLEARANCE

Parameter	Unit	7FBCU15	30-7FBCU15 (UL"EE")	7FBCU18	30-7FBCU18 (UL"EE")	7FBCU20	30-7FBCU20
Center of Wheelbase	in. mm	3.1 80	3.1 80	3.1 80	3.1 80	3.9 100	3.9

TRUCK WEIGHTS

Weight Distribution	Unit	7FBCU15	30-7FBCU15 (UL"EE")	7FBCU18	30-7FBCU18 (UL"EE")	7FBCU20	30-7FBCU20
Total weight without battery	lb. kg	4930 2240	4930 2240	5200 2365	5200 2365	6130 2780	6130
w/ Std. Battery	front-full load	lb. kg	8360 3910	8360 3910	9230 4325	9230 4325	10860 5090
	rear-full load	lb. kg	1410 660	1410 660	1310 620	1310 620	1670 780
	front-no load	lb. kg	2880 1305	2880 1305	2830 1285	2830 1285	3660 1660
	rear-no load	lb. kg	3890 1765	3890 1765	4210 1910	4210 1910	4870 2210

ATTACHMENT

Attachment Operating Hydraulic Pressure	p.s.i. kg/cm²	7FBCU15	30-7FBCU15 (UL"EE")	7FBCU18	30-7FBCU18 (UL"EE")	7FBCU20	30-7FBCU20
		2280 160	2280 160	2280 160	2280 160	2280 160	2280

TIRES

Type (front/rear)	Cushion / Cushion	7FBCU15	30-7FBCU15 (UL"EE")	7FBCU18	30-7FBCU18 (UL"EE")	7FBCU20	30-7FBCU20
Size (ODxWxD)	Front			18x6x12-1/8			
	Rear			14x4-1/2x8			

* Centerline of front axle to front face of forks.

** Add load length and aisle clearance.

*** 3-minute rating computed values.

948 kg • Specifications

UL"EE")	7FBCU25	30-7FBCU25 (UL"EE")	7FBCU25	30-7FBCU25 (UL"EE")	7FBCU30	30-7FBCU30 (UL"EE")	7FBCU32	30-7FBCU32 (UL"EE")
914	5000 2267	5000 2267	5000 2267	5000 2267	6000 2721	6000 2721	6500 2948	6500 2948
340	131.5 3340	131.5 3340	131.5 3340	131.5 3340	131.5 3340	131.5 3340	131.5 3340	131.5 3340
115	83.3 2115	83.3 2115	83.3 2115	83.1 2110	83.1 2110	83.1 2110	83.1 2110	83.1 2110
560	179.5 4560	179.5 4560	179.5 4560	179.7 4565	179.7 4565	179.7 4565	179.7 4565	179.7 4565
35	6.1 155	6.1 155	6.1 155	6.1 155	5.3 135	5.3 135	5.3 135	5.3 135
25	16.5 425	16.5 425	16.5 425	17.7 450	17.7 450	17.7 450	17.7 450	17.7 450
95	51 1295	51 1295	54.7 1390	54.7 1390	54.7 1390	54.7 1390	54.7 1390	54.7 1390
125x1070	1.6x5x42 40x125x1070	1.6x5x42 40x125x1070	1.6x5x42 40x125x1070	1.6x5x42 40x125x1070	1.8x5x42 45x125x1070	1.8x5x42 45x125x1070	1.8x5x42 45x125x1070	1.8x5x42 45x125x1070
170	82.7 2110	82.7 2110	85.4 2170	85.4 2170	89.4 2270	89.4 2270	91.3 2320	91.3 2320
35	88 2235	88 2235	88 2235	88 2235	88 2235	88 2235	88 2235	88 2235
	6/10	6/10	6/10	6/10	6/10	6/10	6/10	6/10
790	70.9 1800	70.9 1800	76.4 1940	76.4 1940	77 1960	77 1960	78.7 2000	78.7 2000
215	87.6 2225	87.6 2225	93.1 2365	93.1 2365	94.9 2410	94.9 2410	96.5 2450	96.5 2450
165	41.9 1065	41.9 1065	41.9 1065	41.9 1065	43.7 1110	43.7 1110	43.7 1110	43.7 1110
20	36.2 920	36.2 920	36.2 920	36.2 920	38.2 970	38.2 970	38.2 970	38.2 970
10	35 890	35 890	35 890	35 890	35.8 910	35.8 910	35.8 910	35.8 910
5	36 915	36 915	36 915	36 915	36 915	36 915	36 915	36 915

93	39.1 993	39.1 993	39.1 993	39.1 993	39.1 993	39.1 993	39.1 993	39.1 993
75	30.5 775	30.5 775	34.3 871	34.3 871	34.3 871	34.3 871	34.3 871	34.3 871
15/584	23.8/23 605/584	23.8/23 605/584	23.8/23 605/584	23.8/23 605/584	23.8/23 605/584	23.8/23 605/584	23.8/23 605/584	23.8/23 605/584

65	1020/765	1020/765	1190/850	1190/850	1190/850	1190/850	1190/850	1190/850
90	1320/990	1320/990	1540/1100	1540/1100	1540/1100	1540/1100	1540/1100	1540/1100
088	2400 1088	2400 1088	3000 1360	3000 1360	3000 1360	3000 1360	3000 1360	3000 1360
279	3155 1431	2820 1279	3555 1612	3555 1612	3555 1612	3555 1612	3555 1612	3555 1612
8/10.6	12.8/17.5 9.7/13.2	10.4/14 7.8/10.6	12.8/17.5 9.7/13.2	10.4/14 7.8/10.6	12.8/17.5 9.7/13.2	10.4/14 7.8/10.6	12.8/17.5 9.7/13.2	10.4/14 7.8/10.6
1.6/12.3	12.2/17 9.2/12.8	11.4/16.3 8.6/12.3	12.2/17 9.2/12.8	11.4/16.3 8.6/12.3	12.2/17 9.2/12.8	11.4/16.3 8.6/12.3	12.2/17 9.2/12.8	11.4/16.3 8.6/12.3
7/0.9	.9/1.2 0.7/0.9	.9/1.2 0.7/0.9	.9/1.2 0.7/0.9	.9/1.2 0.7/0.9	.9/1.2 0.7/0.9	.9/1.2 0.7/0.9	.9/1.2 0.7/0.9	.9/1.2 0.7/0.9

4	8.4 13.5	8.4 13.5	8.4 13.5	8.4 13.5	8.1 13	8.1 13	7.5 12	7.5 12
17	9.9 16	9.9 16	9.9 16	9.9 16	9.3 15	9.3 15	9.3 15	9.3 15
5	9.0 14.5	9.0 14.5	9.0 14.5	9.0 14.5	8.7 14	8.7 14	8.1 13	8.1 13
7.5	10.9 17.5	10.9 17.5	10.9 17.5	10.9 17.5	10.6 17	10.6 17	10.2 16.5	10.2 16.5
0/300	55/75 280/380	45/55 230/280	55/75 280/380	45/55 230/280	47/63 240/320	37/45 190/230	45/63 230/320	33/43 170/220
10/510	104/126 530/640	92/100 470/510	104/126 530/640	92/100 470/510	89/104 450/530	79/85 400/430	89/102 450/530	79/85 400/430
10	98 500	98 500	98 500	98 500	98 500	98 500	98 500	98 500
10	98 500	98 500	98 500	98 500	86 450	86 450	86 450	86 450
510	3290 1490	3290 1490	3290 1490	3290 1490	3160 1430	3160 1430	3160 1430	3160 1430
170	2010 910	2010 910	2550 1160	2550 1160	2350 1070	2350 1070	2270 1030	2270 1030
	21	21	21	21	17	17	17	17
	19	19	24	24	20	20	19	19

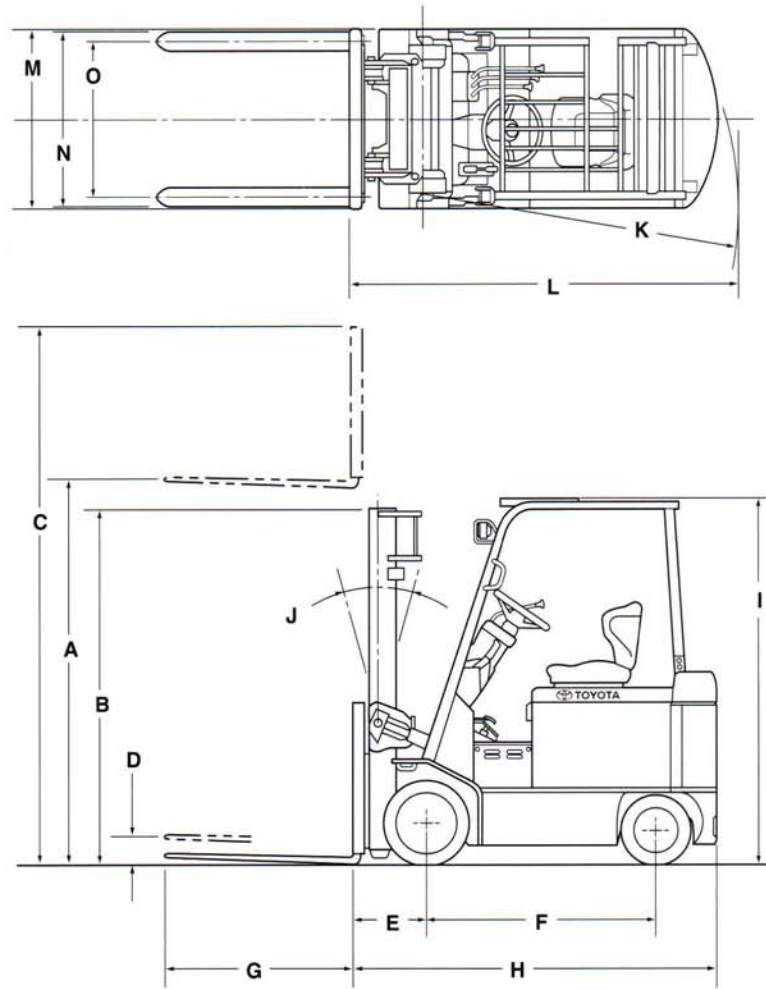
90	3.9 100	3.9 100	3.9 100	3.9 100	3.9 100	3.9 100	3.9 100	3.9 100
----	---------	---------	---------	---------	---------	---------	---------	---------

780	7000 3175	7000 3175	6470 2935	6470 2935	7620 3455	7620 3455	8020 3635	8020 3635
5090	12450 5855	12450 5855	13030 6120	13030 6120	14630 6890	14630 6890	15390 6981	15390 6981
780	1950 910	1950 910	1440 675	1440 675	1990 925	1990 925	2130 966	2130 966
660	3460 1570	3460 1570	4310 1955	4310 1955	4060 1840	4060 1840	3940 1785	3940 1785
210	5940 2695	5940 2695	5160 2340	5160 2340	6560 2975	6560 2975	7080 3210	7080 3210

160	2280 160	2280 160	2280 160	2280 160	2280 160	2280 160	2280 160	2280 160
-----	----------	----------	----------	----------	----------	----------	----------	----------

	21x7x15		21x8x15
	16x5x10-1/2		16x6x10-1/2

3,000 to 6,500 lbs. 1,360 to 2,948 kg • Mast Specifications



7FBCU15, 30-7FBCU15

Mast Type	Maximum Fork Height (top of forks)	Overall Height			Free Lift		Tilt Range		Standard Tread	Wide Tread
		Lowered	Extended		Without Load Backrest	With Standard Load Backrest	FWD	BWD	Load Capacity 600 mm/24 in. Load Center	Load Capacity 600 mm/24 in. Load Center
			Without Load Backrest	With Standard Load Backrest						
in mm	in mm	in mm	in mm	in mm	in mm	deg	deg	lb kg	lb kg	
Wide Visible (V)	80 2035	57.5 1460	101.2 2570	128.1 3255	5.7 145	5.7 145	6	5	3000 1360	3000 1360
	99.5 2535	67.3 1710	120.9 3070	147.8 3755	5.7 145	5.7 145	6	10	3000 1360	3000 1360
	107.5 2735	71.3 1810	128.7 3270	155.7 3955	5.7 145	5.7 145	6	10	3000 1360	3000 1360
	119 3035	77.2 1960	140.6 3570	167.5 4255	5.7 145	5.7 145	6	10	3000 1360	3000 1360
	131 3335	83.1 2110	152.4 3870	179.3 4555	5.7 145	5.7 145	6	10	3000 1360	3000 1360
	139 3535	87 2210	164.2 4170	187.2 4755	5.7 145	5.7 145	6	10	3000 1360	3000 1360
	147 3735	93.3 2370	168.1 4270	195.1 4955	5.7 145	5.7 145	6	10	3000 1360	3000 1360
	158.5 4035	100.8 2560	179.9 4570	206.9 5255	5.7 145	5.7 145	6	10	3000 1360	3000 1360
	178.5 4535	110.6 2810	199.6 5070	226.6 5755	5.7 145	5.7 145	6	5	2900 1315	2900 1315
198 5035	120.5 3060	219.3 5570	246.3 6255	5.7 145	5.7 145	6	5	2800 1270	2900 1315	
Full-Free Lift 2-Stage (FV)	80 2035	57.5 1460	99.4 2525	128.1 3255	36.8 935	9.5 240	6	5	3000 1360	3000 1360
	99.5 2535	67.3 1710	119.1 3025	147.8 3755	46.7 1185	19.3 490	6	10	3000 1360	3000 1360
	107.5 2735	71.3 1810	127 3225	155.7 3955	50.6 1285	23.3 590	6	10	3000 1360	3000 1360
	119 3035	77.2 1960	138.8 3525	167.5 4255	56.5 1435	29.2 740	6	10	3000 1360	3000 1360
	131 3335	83.1 2110	150.6 3825	179.3 4555	62.4 1585	35.1 890	6	10	3000 1360	3000 1360
	139 3535	87 2210	158.5 4025	187.2 4755	66.4 1685	39 990	6	10	3000 1360	3000 1360
	147 3735	93.3 2370	166.3 4225	195.1 4955	72.6 1845	45.3 1150	6	10	3000 1360	3000 1360
	158.5 4035	100.8 2560	178.1 4525	206.9 5255	80.1 2035	52.8 1340	6	10	3000 1360	3000 1360
Full-Free Lift 3-Stage (FSV)	147 3735	69.3 1760	167.9 4265	195.1 4955	47 1195	21.3 540	6	5	3000 1360	3000 1360
	158.5 4035	73.2 1860	179.7 4565	206.9 5255	51 1295	25.2 640	6	5	3000 1360	3000 1360
	170.5 4335	77.2 1960	191.5 4865	218.7 5555	54.9 1395	29.2 740	6	5	2900 1315	2900 1315
	189 4800	83.1 2110	209.4 5320	237 6020	60.8 1545	35.1 890	6	5	2800 1270	2800 1270
	198 5035	87 2210	219.1 5565	246.3 6255	64.8 1645	39 990	6	5	2750 1247	2750 1247
	217.5 5535	93.3 2370	238.8 6065	265.9 6755	71.1 1805	45.3 1150	6	5	2200 997	2650 1202
237.5 6035	100.8 2560	258.5 6565	285.6 7255	78.5 1995	52.8 1340	6	5	1540 698	2200 997	

NOTE: Height of standard load backrest is 48" / 1220 mm.

3,000 to 6,500 lbs. 1,360 to 2,948 kg • Mast Specifications

7FBCU18, 30-7FBCU18

Mast Type	Maximum Fork Height (top of forks)	Overall Height				Free Lift		Tilt Range		Standard Tread	Wide Tread
		Lowered	Extended		Without Load Backrest	With Standard Load Backrest	FWD	BWD	Load Capacity 600 mm/24 in. Load Center	Load Capacity 600 mm/24 in. Load Center	
			Without Load Backrest	With Standard Load Backrest							
			in mm	in mm							
Wide Visible (V)	80 2035	57.5 1460	101.2 2570	128.1 3255	5.7 145	5.7 145	6	5	3500 1587	N/A	
	99.5 2535	67.3 1710	120.9 3070	147.8 3755	5.7 145	5.7 145	6	10	3500 1587	N/A	
	107.5 2735	71.3 1810	128.7 3270	155.7 3955	5.7 145	5.7 145	6	10	3500 1587	N/A	
	119 3035	77.2 1960	140.6 3570	167.5 4255	5.7 145	5.7 145	6	10	3500 1587	N/A	
	131 3335	83.1 2110	152.4 3870	179.3 4555	5.7 145	5.7 145	6	10	3500 1587	N/A	
	139 3535	87 2210	164.2 4170	187.2 4755	5.7 145	5.7 145	6	10	3500 1587	N/A	
	147 3735	93.3 2370	168.1 4270	195.1 4955	5.7 145	5.7 145	6	10	3500 1587	N/A	
	158.5 4035	100.8 2560	179.9 4570	206.9 5255	5.7 145	5.7 145	6	10	3500 1587	N/A	
	178.5 4535	110.6 2810	199.6 5070	226.6 5755	5.7 145	5.7 145	6	5	3300 1497	N/A	
198 5035	120.5 3060	219.3 5570	246.3 6255	5.7 145	5.7 145	6	5	3200 1451	N/A		
Full-Free Lift 2-Stage (FV)	80 2035	57.5 1460	99.4 2525	128.1 3255	36.8 935	9.5 240	6	5	3500 1587	N/A	
	99.5 2535	67.3 1710	119.1 3025	147.8 3755	46.7 1185	19.3 490	6	10	3500 1587	N/A	
	107.5 2735	71.3 1810	127 3225	155.7 3955	50.6 1285	23.3 590	6	10	3500 1587	N/A	
	119 3035	77.2 1960	138.8 3525	167.5 4255	56.5 1435	29.2 740	6	10	3500 1587	N/A	
	131 3335	83.1 2110	150.6 3825	179.3 4555	62.4 1585	35.1 890	6	10	3500 1587	N/A	
	139 3535	87 2210	158.5 4025	187.2 4755	66.4 1685	39 990	6	10	3500 1587	N/A	
	147 3735	93.3 2370	166.3 4225	195.1 4955	72.6 1845	45.3 1150	6	10	3500 1587	N/A	
	158.5 4035	100.8 2560	178.1 4525	206.9 5255	80.1 2035	52.8 1340	6	10	3500 1587	N/A	
Full-Free Lift 3-Stage (FSV)	147 3735	69.3 1760	167.9 4265	195.1 4955	47 1195	21.3 540	6	5	3500 1587	N/A	
	158.5 4035	73.2 1860	179.7 4565	206.9 5255	51 1295	25.2 640	6	5	3500 1587	N/A	
	170.5 4335	77.2 1960	191.5 4865	218.7 5555	54.9 1395	29.2 740	6	5	3400 1542	N/A	
	189 4800	83.1 2110	209.4 5320	237 6020	60.8 1545	35.1 890	6	5	3090 1401	N/A	
	198 5035	87 2210	219.1 5565	246.3 6255	64.8 1645	39 990	6	5	3050 1383	N/A	
	217.5 5535	93.3 2370	238.8 6065	265.9 6755	71.1 1805	45.3 1150	6	5	2800 1270	N/A	
	237.5 6035	100.8 2560	258.5 6565	285.6 7255	78.5 1995	52.8 1340	6	5	1700 771	N/A	

NOTE: Height of standard load backrest is 48" / 1220 mm.

7FBCU20, 30-7FBCU20

Mast Type	Maximum Fork Height (top of forks)	Overall Height				Free Lift		Tilt Range		Standard Tread	Wide Tread
		Lowered	Extended		Without Load Backrest	With Standard Load Backrest	FWD	BWD	Load Capacity 600 mm/24 in. Load Center	Load Capacity 600 mm/24 in. Load Center	
			Without Load Backrest	With Standard Load Backrest							
			in mm	in mm							
Wide Visible (V)	80 2040	57.7 1465	104.3 2650	128.3 3260	6.1 155	6.1 155	6	5	4000 1814	4000 1814	
	100 2540	67.5 1715	124 3150	148 3760	6.1 155	6.1 155	6	5	4000 1814	4000 1814	
	107.5 2735	71.5 1815	131.9 3550	155.9 3960	6.1 155	6.1 155	6	10	4000 1814	4000 1814	
	119.5 3040	77.4 1965	143.7 3650	167.7 4260	6.1 155	6.1 155	6	10	4000 1814	4000 1814	
	131.5 3340	83.3 2115	155.5 3950	179.5 4560	6.1 155	6.1 155	6	10	4000 1814	4000 1814	
	139 3540	87.2 2215	163.4 4150	187.4 4760	6.1 155	6.1 155	6	10	4000 1814	4000 1814	
	147 3740	93.5 2375	171.3 4350	195.3 4960	6.1 155	6.1 155	6	10	4000 1814	4000 1814	
	159 4040	101 2565	183.1 4650	207.1 5260	6.1 155	6.1 155	6	10	4000 1814	4000 1814	
	178.5 4540	110.8 2815	202.8 5150	226.8 5760	6.1 155	6.1 155	6	5	4000 1814	4000 1814	
	198 5040	120.7 3065	222.4 5650	246.5 6260	6.1 155	6.1 155	6	5	3850 1746	3850 1746	
Full-Free Lift 2-Stage (FV)	80 2040	57.7 1465	99.8 2535	128.3 3260	36.4 925	9.7 245	6	5	4000 1814	4000 1814	
	100 2540	67.5 1715	119.5 3035	148 3760	46.3 1175	19.5 495	6	8	4000 1814	4000 1814	
	107.5 2735	71.5 1815	127.4 3235	155.9 3960	50.2 1275	23.5 595	6	10	4000 1814	4000 1814	
	119.5 3040	77.4 1965	139.2 3535	167.7 4260	56.1 1425	29.4 745	6	10	4000 1814	4000 1814	
	131.5 3340	83.3 2115	151 3835	179.5 4560	62 1575	35.3 895	6	10	4000 1814	4000 1814	
	139 3540	87.2 2215	158.9 4035	187.4 4760	65.9 1675	39.2 995	6	10	4000 1814	4000 1814	
	147 3740	93.5 2375	166.7 4235	195.3 4960	72.2 1835	45.5 1155	6	10	4000 1814	4000 1814	
	159 4040	101 2565	178.5 4535	207.1 5260	79.7 2025	53 1345	6	10	4000 1814	4000 1814	
Full-Free Lift 3-Stage (FSV)	147 3740	69.5 1765	170.9 4340	195.3 4960	44.1 1120	21.5 545	6	5	4000 1814	4000 1814	
	159 4040	73.4 1865	182.7 4640	207.1 5260	48 1220	25.4 645	6	5	4000 1814	4000 1814	
	170.5 4340	77.4 1965	194.5 4940	218.9 5560	52 1320	29.4 745	6	5	3850 1746	3850 1746	
	189 4800	83.3 2115	212.8 5405	237 6020	57.9 1470	35.3 895	6	5	3750 1700	3750 1700	
	198 5040	87.2 2215	222 5640	246.4 6260	61.8 1570	39.2 995	6	5	3550 1610	3550 1610	
	218 5540	93.5 2375	241.7 6140	266.1 6760	68.1 1730	45.5 1155	6	5	3500 1587	3500 1587	
Full-Free Lift 4-Stage (QSV)	237.5 6040	101 2565	261.4 6640	285.8 7260	75.6 1920	53 1345	6	5	N/A	3300 1496	
	240 6090	83 2105	261 6625	288 7310	62 1575	35 890	6	5	N/A	3000 1360	
	258 6550	89 2260	279 7080	306 7765	66 1675	39 990	6	5	N/A	2300 1043	

NOTE: Height of standard load backrest is 48" / 1220 mm.

3,000 to 6,500 lbs. 1,360 to 2,948 kg • Mast Specifications

7FBCU25, 30-7FBCU25

Mast Type	Maximum Fork Height (top of forks)	Overall Height				Free Lift		Tilt Range		Standard Tread	Wide Tread
		Lowered	Extended		Without Load Backrest	With Standard Load Backrest	FWD	BWD	Load Capacity 600 mm/24 in. Load Center	Load Capacity 600 mm/24 in. Load Center	
			Without Load Backrest	With Standard Load Backrest							
		in mm	in mm	in mm	in mm	in mm	in mm	deg	deg	lb kg	lb kg
Wide Visible (V)	80 2040	57.7 1465	104.3 2650	128.3 3260	6.1 155	6.1 155	6	5	5000 2267	5000 2267	
	100 2540	67.5 1715	124 3150	148 3760	6.1 155	6.1 155	6	5	5000 2267	5000 2267	
	107.5 2735	71.5 1815	131.9 3550	155.9 3960	6.1 155	6.1 155	6	10	5000 2267	5000 2267	
	119.5 3040	77.4 1965	143.7 3650	167.7 4260	6.1 155	6.1 155	6	10	5000 2267	5000 2267	
	131.5 3340	83.3 2115	155.5 3950	179.5 4560	6.1 155	6.1 155	6	10	5000 2267	5000 2267	
	139 3540	87.2 2215	163.4 4150	187.4 4760	6.1 155	6.1 155	6	10	5000 2267	5000 2267	
	147 3740	93.5 2375	171.3 4350	195.3 4960	6.1 155	6.1 155	6	10	5000 2267	5000 2267	
	159 4040	101 2565	183.1 4650	207.1 5260	6.1 155	6.1 155	6	10	5000 2267	5000 2267	
	178.5 4540	110.8 2815	202.8 5150	226.8 5760	6.1 155	6.1 155	6	5	4900 2222	4900 2222	
198 5040	120.7 3065	222.4 5650	246.5 6260	6.1 155	6.1 155	6	5	4500 2041	4500 2041		
Full-Free Lift 2-Stage (FV)	80 2040	57.7 1465	99.8 2535	128.3 3260	36.4 925	9.7 245	6	5	5000 2267	5000 2267	
	100 2540	67.5 1715	119.5 3035	148 3760	46.3 1175	19.5 495	6	8	5000 2267	5000 2267	
	107.5 2735	71.5 1815	127.4 3235	155.9 3960	50.2 1275	23.5 595	6	10	5000 2267	5000 2267	
	119.5 3040	77.4 1965	139.2 3535	167.7 4260	56.1 1425	29.4 745	6	10	5000 2267	5000 2267	
	131.5 3340	83.3 2115	151 3835	179.5 4560	62 1575	35.3 895	6	10	5000 2267	5000 2267	
	139 3540	87.2 2215	158.9 4035	187.4 4760	65.9 1675	39.2 995	6	10	5000 2267	5000 2267	
	147 3740	93.5 2375	166.7 4235	195.3 4960	72.2 1835	45.5 1155	6	10	5000 2267	5000 2267	
	159 4040	101 2565	178.5 4535	207.1 5260	79.7 2025	53 1345	6	10	5000 2267	5000 2267	
	178.5 4540	110.8 2815	202.8 5150	226.8 5760	88 1570	45.5 1155	6	5	4900 2222	4900 2222	
Full-Free Lift 3-Stage (FSV)	147 3740	69.5 1765	170.9 4340	195.3 4960	44.1 1120	21.5 545	6	5	5000 2267	5000 2267	
	159 4040	73.4 1865	182.7 4540	207.1 5260	48 1220	25.4 645	6	5	5000 2267	5000 2267	
	170.5 4340	77.4 1965	194.5 4940	218.9 5560	52 1320	29.4 745	6	5	5000 2267	5000 2267	
	189 4800	83.3 2115	212.8 5405	237 6020	57.9 1470	35.3 895	6	5	4850 2199	4850 2199	
	198 5040	87.2 2215	222 5640	246.4 6260	61.8 1570	39.2 995	6	5	4500 2041	4750 2154	
	218 5540	93.5 2375	241.7 6140	266.1 6760	68.1 1730	45.5 1155	6	5	N/A	4550 2063	
	237.5 6040	101 2565	261.4 6640	285.8 7260	75.6 1920	53 1345	6	5	N/A	3900 1769	
	240 6090	83 2105	261 6625	288 7310	62 1575	35 890	6	5	N/A	3800 1723	
	258 6550	89 2260	279 7080	306 7765	66 1675	39 990	6	5	N/A	3000 1360	
Full-Free Lift 4-Stage (QSV)	276 7005	95 2410	297 7540	324 8220	72 1830	45 1140	6	5	N/A	2300 1043	

NOTE: Height of standard load backrest is 48" / 1220 mm.

7FBCHU25, 30-7FBCHU25

Mast Type	Maximum Fork Height (top of forks)	Overall Height				Free Lift		Tilt Range		Standard Tread	Wide Tread
		Lowered	Extended		Without Load Backrest	With Standard Load Backrest	FWD	BWD	Load Capacity 600 mm/24 in. Load Center	Load Capacity 600 mm/24 in. Load Center	
			Without Load Backrest	With Standard Load Backrest							
		in mm	in mm	in mm	in mm	in mm	in mm	deg	deg	lb kg	lb kg
Wide Visible (V)	80 2040	57.7 1465	104.3 2650	128.3 3260	6.1 155	6.1 155	6	5	5000 2267	5000 2267	
	100 2540	67.5 1715	124 3150	148 3760	6.1 155	6.1 155	6	5	5000 2267	5000 2267	
	107.5 2735	71.5 1815	131.9 3550	155.9 3960	6.1 155	6.1 155	6	10	5000 2267	5000 2267	
	119.5 3040	77.4 1965	143.7 3650	167.7 4260	6.1 155	6.1 155	6	10	5000 2267	5000 2267	
	131.5 3340	83.3 2115	155.5 3950	179.5 4560	6.1 155	6.1 155	6	10	5000 2267	5000 2267	
	139 3540	87.2 2215	163.4 4150	187.4 4760	6.1 155	6.1 155	6	10	5000 2267	5000 2267	
	147 3740	93.5 2375	171.3 4350	195.3 4960	6.1 155	6.1 155	6	10	5000 2267	5000 2267	
	159 4040	101 2565	183.1 4650	207.1 5260	6.1 155	6.1 155	6	10	5000 2267	5000 2267	
	178.5 4540	110.8 2815	202.8 5150	226.8 5760	6.1 155	6.1 155	6	5	4900 2222	4900 2222	
Full-Free Lift 2-Stage (FV)	80 2040	57.7 1465	99.8 2535	128.3 3260	36.4 925	9.7 245	6	5	5000 2267	5000 2267	
	100 2540	67.5 1715	119.5 3035	148 3760	46.3 1175	19.5 495	6	8	5000 2267	5000 2267	
	107.5 2740	71.5 1815	127.4 3235	155.9 3960	50.2 1275	23.5 595	6	10	5000 2267	5000 2267	
	119.5 3040	77.4 1965	139.2 3535	167.7 4260	56.1 1425	29.4 745	6	10	5000 2267	5000 2267	
	131.5 3340	83.3 2115	151 3835	179.5 4560	62 1575	35.3 895	6	10	5000 2267	5000 2267	
	139 3540	87.2 2215	158.9 4035	187.4 4760	65.9 1675	39.2 995	6	10	5000 2267	5000 2267	
	147 3740	93.5 2375	166.7 4235	195.3 4960	72.2 1835	45.5 1155	6	10	5000 2267	5000 2267	
	159 4040	101 2565	178.5 4535	207.1 5260	79.7 2025	53 1345	6	10	5000 2267	5000 2267	
	178.5 4540	110.8 2815	202.8 5150	226.8 5760	88 1570	45.5 1155	6	5	4900 2222	4900 2222	
Full-Free Lift 3-Stage (FSV)	147 3740	69.5 1765	170.9 4340	195.3 4960	44.1 1120	21.5 545	6	5	5000 2267	5000 2267	
	159 4040	73.4 1865	182.7 4540	207.1 5260	48 1220	25.4 645	6	5	5000 2267	5000 2267	
	170.5 4340	77.4 1965	194.5 4940	218.9 5560	52 1320	29.4 745	6	5	5000 2267	5000 2267	
	189 4800	83.3 2115	212.8 5405	237 6020	57.9 1470	35.3 895	6	5	4850 2199	4850 2199	
	198 5040	87.2 2215	222 5640	246.4 6260	61.8 1570	39.2 995	6	5	4500 2041	4750 2154	
	218 5540	93.5 2375	241.7 6140	266.1 6760	68.1 1730	45.5 1155	6	5	N/A	4550 2063	
	237.5 6040	101 2565	261.4 6640	285.8 7260	75.6 1920	53 1345	6	5	N/A	4000 1814	
	240 6090	83 2105	261 6625	288 7310	62 1575	35 890	6	5	N/A	3900 1769	
	258 6550	89 2260	279 7080	306 7765	66 1675	39 990	6	5	N/A	3200 1457	
Full-Free Lift 4-Stage (QSV)	276 7005	95 2410	297 7540	324 8220	72 1830	45 1140	6	5	N/A	2500 1133	

NOTE: Height of standard load backrest is 48" / 1220 mm.

3,000 to 6,500 lbs. 1,360 to 2,948 kg • Mast Specifications

7FBCU30, 30-7FBCU30

Mast Type	Maximum Fork Height (top of forks)	Overall Height				Free Lift		Tilt Range		Standard Tread	Wide Tread
		Lowered	Extended		Without Load Backrest	With Standard Load Backrest	FWD	BWD	Load Capacity 600 mm/24 in. Load Center	Load Capacity 600 mm/24 in. Load Center	
			Without Load Backrest	With Standard Load Backrest							
			in mm	in mm							
Wide Visible (V)	80.5 2045	57.5 1460	106.1 2695	128.5 3265	5.3 135	5.3 135	6	5	6000 2721	6000 2721	
	100 2545	67.3 1710	125.8 3195	148.2 3765	5.3 135	5.3 135	6	5	6000 2721	6000 2721	
	108 2745	71.3 1810	133.7 3395	156.1 3965	5.3 135	5.3 135	6	10	6000 2721	6000 2721	
	119.5 3045	77.2 1960	145.5 3695	167.9 4265	5.3 135	5.3 135	6	10	6000 2721	6000 2721	
	131.5 3345	83.1 2110	157.3 3995	179.7 4565	5.3 135	5.3 135	6	10	6000 2721	6000 2721	
	139.5 3545	87 2210	165.2 4195	187.6 4765	5.3 135	5.3 135	6	10	6000 2721	6000 2721	
	147 3745	93.3 2370	173 4395	195.5 4965	5.3 135	5.3 135	6	10	6000 2721	6000 2721	
	159 4045	100.8 2560	184.8 4695	207.3 5265	5.3 135	5.3 135	6	10	6000 2721	6000 2721	
	178.5 4545	110.6 2810	204.5 5195	227 5765	5.3 135	5.3 135	6	5	6000 2721	6000 2721	
198.5 5045	120.5 3060	224.2 5695	246.7 6265	5.3 135	5.3 135	6	5	5600 2540	5600 2540		
Full-Free Lift 2-Stage (FV)	80.5 2045	57.5 1460	100.8 2560	128.5 3265	33.3 845	9.5 240	6	5	6000 2721	6000 2721	
	100 2545	67.3 1710	120.5 3060	148.2 3765	43.1 1095	19.3 490	6	10	6000 2721	6000 2721	
	108 2745	71.3 1810	128.3 3260	156.1 3965	47 1195	23.3 590	6	10	6000 2721	6000 2721	
	119.5 3045	77.2 1960	140.2 3560	167.9 4265	53 1145	29.2 740	6	10	6000 2721	6000 2721	
	131.5 3345	83.1 2110	152 3860	179.7 4565	58.9 1495	35.1 890	6	10	6000 2721	6000 2721	
	139.5 3545	87 2210	159.8 4060	187.6 4765	62.8 1595	39 990	6	10	6000 2721	6000 2721	
	147 3745	93.3 2370	167.7 4260	195.5 4965	69.1 1755	45.3 1150	6	10	6000 2721	6000 2721	
	159 4045	100.8 2560	179.5 4560	207.3 5265	76.6 1945	52.8 1340	6	10	6000 2721	6000 2721	
	171 4345	108.8 2760	191.3 4860	219.1 5565	83.9 2140	60.6 1540	6	5	5850 2653	5850 2653	
Full-Free Lift 3-Stage (FSV)	147 3745	73.2 1860	167.7 4260	195.5 4965	49 1245	25.2 640	6	5	6000 2721	6000 2721	
	159 4045	77.2 1960	179.5 4560	207.3 5265	53 1145	29.2 740	6	5	6000 2721	6000 2721	
	171 4345	83.1 2110	191.3 4860	219.1 5565	58.9 1495	35.1 890	6	5	5850 2653	5850 2653	
	187 4745	87 2210	207.7 5275	235 5965	62.8 1595	39 990	6	5	5800 2630	5800 2630	
	198.5 5045	93.3 2370	218.9 5560	246.7 6265	69.1 1755	45.3 1150	6	5	5500 2494	5600 2540	
	218 5545	100.8 2560	238.6 6060	266.3 6765	76.6 1945	52.8 1340	6	5	5350 2426	5350 2426	
Full-Free Lift 4-Stage (QSV)	237.5 6045	110.6 2810	258.3 6560	286 7265	86.4 2195	62.6 1590	6	5	4000 1814	5150 2336	
	240 6090	83 2105	261 6625	288 7310	62 1575	35 890	6	5	N/A	4450 2018	
	258 6550	89 2260	279 7080	306 7765	66 1675	39 990	6	5	N/A	3250 1474	
	276 7005	95 2410	297 7540	324 8220	72 1830	45 1140	6	5	N/A	1900 861	

7FBCU32, 30-7FBCU32

Mast Type	Maximum Fork Height (top of forks)	Overall Height				Free Lift		Tilt Range		Standard Tread	Wide Tread
		Lowered	Extended		Without Load Backrest	With Standard Load Backrest	FWD	BWD	Load Capacity 600 mm/24 in. Load Center	Load Capacity 600 mm/24 in. Load Center	
			Without Load Backrest	With Standard Load Backrest							
			in mm	in mm							
Wide Visible (V)	80.5 2045	57.5 1460	106.1 2695	128.5 3265	5.3 135	5.3 135	6	5	6500 2948	6500 2948	
	100 2545	67.3 1710	125.8 3195	148.2 3765	5.3 135	5.3 135	6	5	6500 2948	6500 2948	
	108 2745	71.3 1810	133.7 3395	156.1 3965	5.3 135	5.3 135	6	10	6500 2948	6500 2948	
	119.5 3045	77.2 1960	145.5 3695	167.9 4265	5.3 135	5.3 135	6	10	6500 2948	6500 2948	
	131.5 3345	83.1 2110	157.3 3995	179.7 4565	5.3 135	5.3 135	6	10	6500 2948	6500 2948	
	139.5 3545	87 2210	165.2 4195	187.6 4765	5.3 135	5.3 135	6	10	6500 2948	6500 2948	
	147 3745	93.3 2370	173 4395	195.5 4965	5.3 135	5.3 135	6	10	6500 2948	6500 2948	
	159 4045	100.8 2560	184.8 4695	207.3 5265	5.3 135	5.3 135	6	10	6500 2948	6500 2948	
	178.5 4545	110.6 2810	204.5 5195	227 5765	5.3 135	5.3 135	6	5	6500 2948	6500 2948	
198.5 5045	120.5 3060	224.2 5695	246.7 6265	5.3 135	5.3 135	6	5	6300 2857	6300 2857		
Full-Free Lift 2-Stage (FV)	80.5 2045	57.5 1460	105.9 2690	128.5 3265	28.1 715	9.5 240	6	5	6500 2948	6500 2948	
	100 2545	67.3 1710	125.6 3190	148.2 3765	38 965	19.3 490	6	10	6500 2948	6500 2948	
	108 2745	71.3 1810	133.5 3390	156.1 3965	41.9 1065	23.3 590	6	10	6500 2948	6500 2948	
	119.5 3045	77.2 1960	145.3 3690	167.9 4265	47.8 1210	29.2 740	6	10	6500 2948	6500 2948	
	131.5 3345	83.1 2110	157.1 3990	179.7 4565	53.7 1365	35.1 890	6	10	6500 2948	6500 2948	
	139.5 3545	87 2210	165 4190	187.6 4765	57.7 1465	39 990	6	10	6500 2948	6500 2948	
	147 3745	93.3 2370	172.8 4390	195.5 4965	64 1625	45.3 1150	6	10	6500 2948	6500 2948	
	159 4045	100.8 2560	184.6 4690	207.3 5265	71.5 1815	52.8 1340	6	10	6500 2948	6500 2948	
	171 4345	108.8 2760	191.3 4860	219.1 5565	83.9 2140	60.6 1540	6	5	6500 2948	6500 2948	
Full-Free Lift 3-Stage (FSV)	147 3745	73.2 1860	172.8 4390	195.5 4965	43.9 1115	25.2 640	6	5	6500 2948	6500 2948	
	159 4045	77.2 1960	184.6 4690	207.3 5265	47.8 1215	29.2 740	6	5	6500 2948	6500 2948	
	171 4345	83.1 2110	196.5 4990	219.1 5565	53.7 1365	35.1 890	6	5	6400 2903	6400 2903	
	187 4745	87 2210	212.8 5405	235 5965	57.7 1465	39 990	6	5	6300 2857	6300 2857	
	198.5 5045	93.3 2370	224 5690	246.7 6265	64 1625	45.3 1150	6	5	6100 2766	6100 2766	
	218 5545	100.8 2560	243.7 6190	266.3 6765	71.5 1815	52.8 1340	6	5	5050 2290	5700 2585	
Full-Free Lift 4-Stage (QSV)	237.5 6045	110.6 2810	263.4 6690	286 7265	81 2055	62.6 1590	6	5	3500 1587	4850 2199	
	240 6090	83 2105	261 6625	288 7310	62 1575	35 890	6	5	N/A	4200 1905	
	258 6550	89 2260	279 7080	306 7765	66 1675	39 990	6	5	N/A	3150 1428	
	276 7005	95 2410	297 7540	324 8220	72 1830	45 1140	6	5	N/A	1800 816	

NOTE: Height of standard load backrest is 48" / 1220 mm.

specifications.
ing and may change without notice.

TOYOTA CANADA INC.