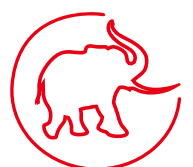
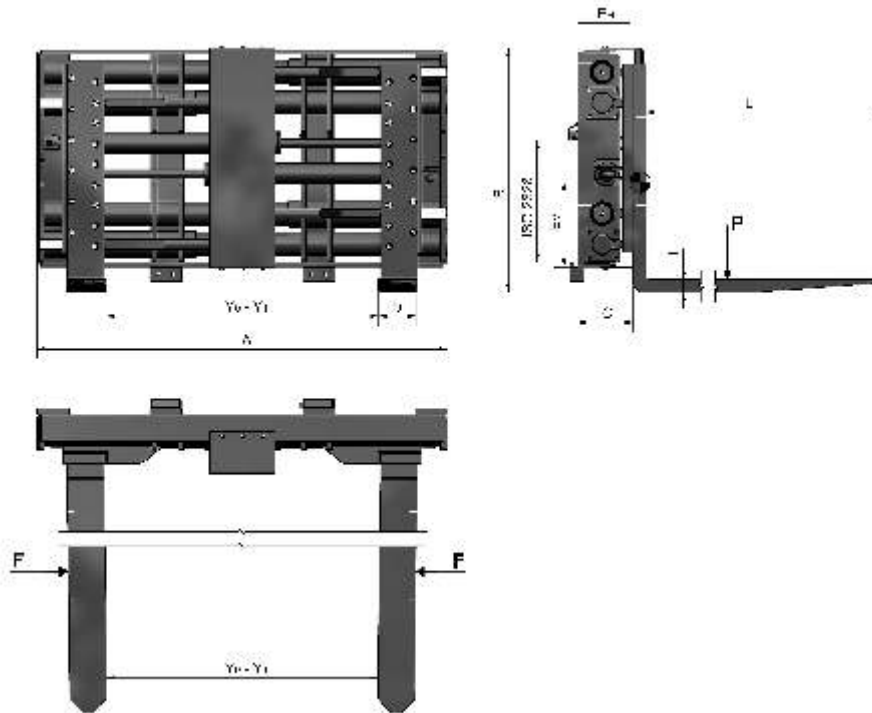


Fork clamp with side shift, type HK

Advantages

- Fork clamp and side shift combined in one attachment
- Stable sliding system in the replaceable bushes
- The robust construction guarantees a long lifetime
- Mounting in cl. 2, 3 or 4, ISO 2328





	P [kg]	a [mm]	A [mm]	B [mm]	B ₁ [mm]	C [mm]	D [mm]	E _H [mm]	E _V [mm]	F [mm]	Q [kg]	b x t x L	Y ₀ - Y ₁ [mm]	ISO 2328	F [N]
HK 1810			1000				600	228			360		250-1200		
HK 1811	1800	500	1100	642	582	165	640	222	370	120	373	120x40x1200	250-1300	2	17500
HK 1813			1300				740	214			399		250-1500		
HK 2511			1100				680	231			489		250-1300		
HK 2513	2500	500	1300	712	670	185	790	222	368	125	522	125x50x1200	250-1500	2-3	29600
HK 2515			1500				880	214			556		250-1700		
HK 4013	4000	500	1300	832	790	225	790	236	428	150	736	150x50x1200	250-1500	3	36200
HK 4015			1500				890	235			749		250-1700		
HK 6015	6000	600	1500	932	890	240	890	261	478	150	893	150x60x1200	350-1700	4	36200

Max. working pressure 140 [bar].

E_H, E_V and Q are valid for a fork length of 1200 [mm].

